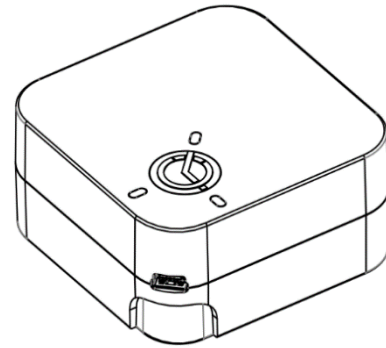




Job Name:		Location:	
Purchaser:			
Engineer:			
Submitted To:		For	Reference Approval Construction
Submitted By:		Date:	
Unit Designation:	Schedule #:	Model No.:	

Features:

- Seamless integration of HVAC indoor units with Home Automation / BMS controllers.
- Supports all leading manufactures of HVAC systems (full list under: <https://coolautomation.com/products/coolplug-coolinkhub/>)
- Modbus interface to Home automation and BMS systems
- Allows full control & monitoring of HVAC indoor unit operation
- Wired version: Simple wiring process between CoolPlug and CoolLinkHUB.
- Wireless version only: no need for wiring between CoolPlug and CoolLinkHUB.



Power

Power Supply:	8-20 VDC, From indoor unit
Power Consumption:	0.4 Watt

Operating Conditions

Surrounding Temperature Limits:	-10° C to +60° C +14 F to +140 F
Humidity (%)	0% to 96%
Dimensions (H x W x D) (inches/mm)	2.44 x 2.44 x 1.22 / 62 x 62 x 31
Weight (lbs/kg)	0.26/0.12
Maximum PBUS wiring length (ft/m)	3280/1000

Communication and connectivity

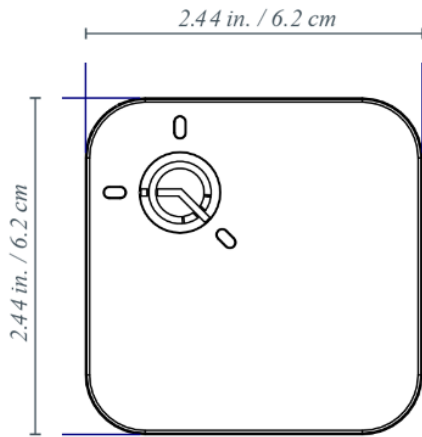
CoolLinkHub communication	PBUS interface, 2 wire, shielded, polarized, twisted pair 20-24 AWG
Wireless communication (wireless model only)	2.4 Ghz, spread spectrum 802.15.4 , wireless mesh
Wireless range (ft/m)	65/20
Indoor HVAC connectivity	2 wire, non-polar, 20-24 AWG / 3 wire, polar, 20-24 AWG (Based on the specific indoor unit terminal connections)

SDS – CooPlug

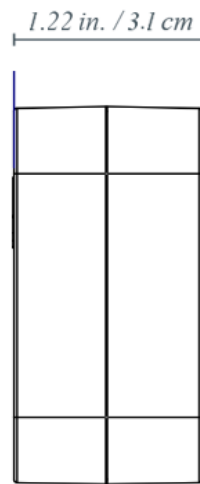
CoolAutomation products are subject to continuous improvements. CoolAutomation reserves the right to modify product design, specifications and information in this datasheet without notice and without incurring any obligations.

Dimensional drawings:

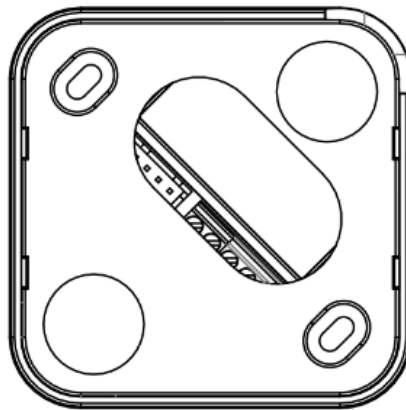
Front View



Side View



Bottom View



SDS – CooPlug

CoolAutomation products are subject to continuous improvements. CoolAutomation reserves the right to modify product design, specifications and information in this datasheet without notice and without incurring any obligations.