



**COOLAUTOMATION**  
THE INTERNET OF CLIMATE (IoC)

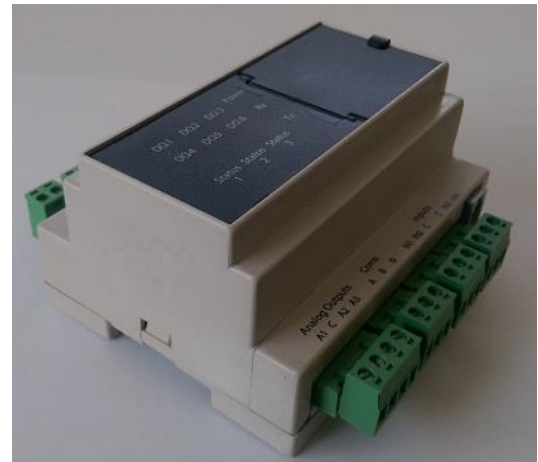
## Datasheet: GS539-HP-230V

### Smart Heat Pump Controller

Job Name:		Location:	
Purchaser:			
Engineer:			
Submitted To:		For	Reference   Approval   Construction
Submitted By:		Date:	
Unit Designation:	Schedule #:	Model No.:	

#### Features:

- Din rail mounting
- Detachable connectors
- I/O and communication LED indication
- Selectable fan type and cool/heat outputs
- Modbus RTU network interface
- Each unit is separately displayed/controlled in Cloud Apps



#### Power

Power Supply:	230 VAC
Power Consumption:	6A (Including Fan)

#### Operating Conditions

Surrounding Temperature Limits:	-10° C to +50° C +14 F to +122 F
Humidity (%)	0% to 70%
Dimensions (H x W x D) (inches/mm)	0.75 x 7.8 x 4.72 / 19 x 210 x 120
Weight (lbs/kg)	0.26/0.12
Maximum PBUS wiring length (ft/m)	2600/800

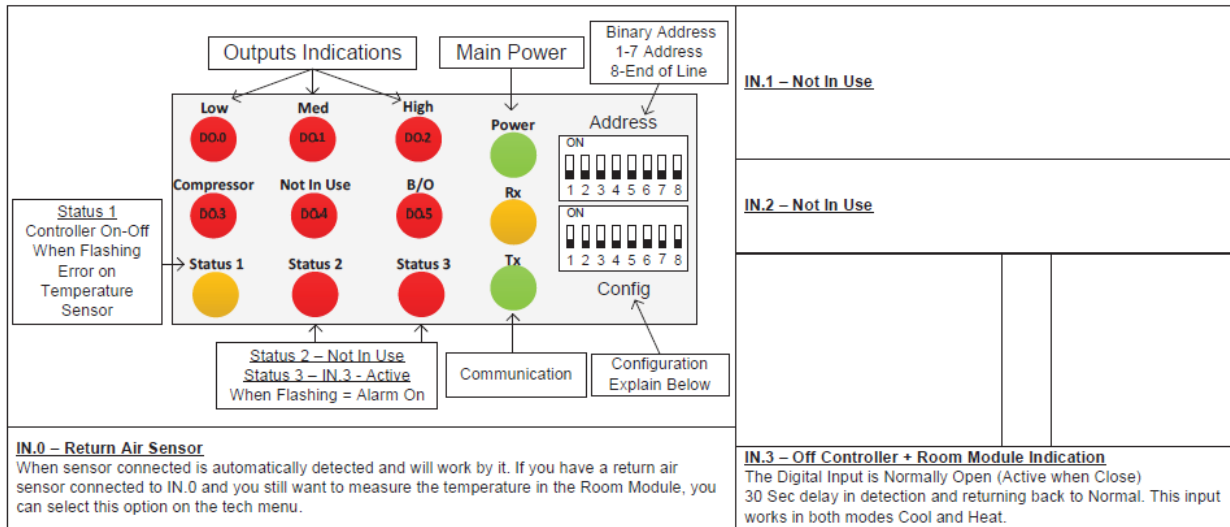
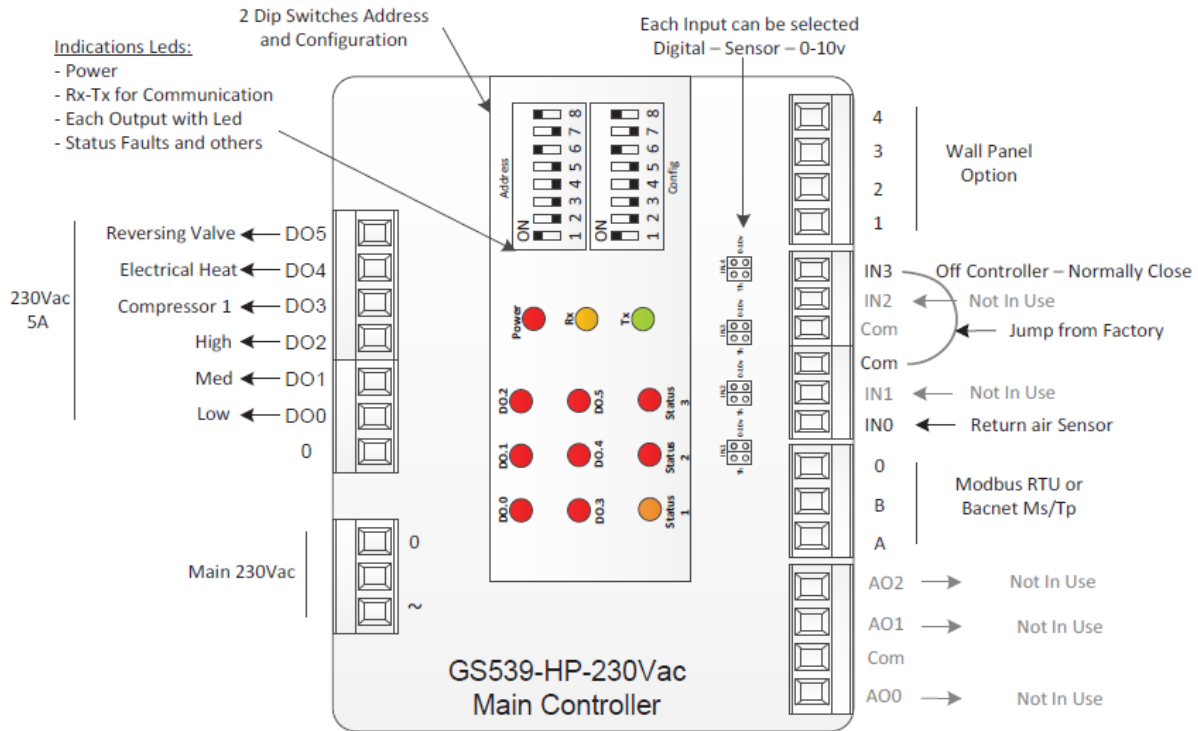
#### Communication and connectivity

RS485	2 wire, shielded, polarized, twisted pair 20-24 AWG
-------	---

CoolAutomation products are subject to continuous improvements. CoolAutomation reserves the right to modify product design, specifications and information in this datasheet without notice and without incurring any obligations.

# Detailed drawing:

## Main Controller – GS539-HP-230Vac



Dip Switch Config – 1	Dip Switch Config		Dip Switch Config – 5
Protocol selection Modbus RTU or BACnet Ms/Tp Need reset power after change	OFF	ON	Not In Use
<b>Dip Switch Config – 2 and 3</b> Baud Rate Selection in Modbus	Modbus RTU <input type="checkbox"/>	BACnet Ms/Tp <input type="checkbox"/>	<b>Dip Switch Config – 6</b> Not in Use
9600 19200 38400 76800	Baud Rate <input type="checkbox"/>	Baud Rate <input type="checkbox"/>	<b>Dip Switch Config – 7</b> HC (no heat pump) or HP (Heat pump) configuration
2 - Off On Off On	Not In Use <input type="checkbox"/>	Not In Use <input type="checkbox"/>	<b>Dip Switch Config – 8 – B or O Selection</b> Reversing Valve selection B-Energize in Heat --- O-Energize in Cool
3 - Off Off On On	Not In Use <input type="checkbox"/>	Not In Use <input type="checkbox"/>	
BACnet Baud Rate is Auto Detect	Heat Pump <input type="checkbox"/>	Heat Cool <input type="checkbox"/>	
<b>Dip Switch Config – 4</b> Not In Use	RV in Cool <input type="checkbox"/>	RV in Heat <input type="checkbox"/>	

HC – Heat Cool
Cool – Y1 Compressor Heat – W
HP – Heat Pump - B
Cool – Y1 Compressor Heat – B Reversing Valve - Y1 Compressor – Stage 1 - W – Electrical Heat – Stage 2
HP – Heat Pump - O
Cool – O Reversing Valve - Y1 Compressor – Stage 1 Heat – Y1 Compressor – Stage 1 - W – Electrical Heat – Stage 2

CoolAutomation products are subject to continuous improvements. CoolAutomation reserves the right to modify product design, specifications and information in this datasheet without notice and without incurring any obligations.