

# Keypad Buttons Installation Guide

## Supported lighting models

- C4-KD120 (-C) Keypad Dimmer, 120V
- C4-KD240 (-C) Keypad Dimmer, 240V
- C4-KD277 (-C) Keypad Dimmer, 277V
- C4-KC120277 (-C) Configurable Keypad, 120V/277V
- C4-KC240 (-C) Configurable Keypad, 240V
- C4-KCB (-C) Configurable Wired Keypad
- C4-SKCB (-C) Square Wired Keypad

## Supported keypad button models

Traditional rounded keypad buttons and Contemporary flat keypad buttons (with a -C suffix in the part number) are supported by this guide.

- C4-CKSK (-C) Color Kit Square Keypad Buttons
- C4-CKKD (-C) Color Kit Keypad Dimmer Buttons
- C4-CKKC (-C) Color Kit Configurable Keypad Buttons

## Introduction

The Control4® Keypad Buttons let you and your customer decide how to lay out the buttons on Keypad Dimmers, Configurable Keypads, or Configurable Decora or Square Wired Keypads by providing multiple ways to attach the keycaps to the devices. These buttons come in Contemporary flat or rounded design, and single, double, or triple heights, as well as a split up/down button. Use any combination to snap the buttons into place easily.

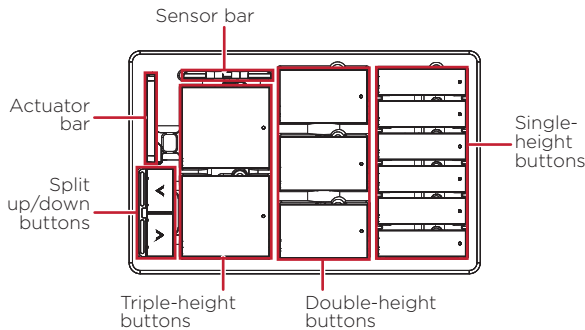
- ✓ **Important!** The button configuration defined for the Keypad or Keypad Dimmer in Control4 Composer Pro must match the physical button configuration for proper operation.

## Keypad button installation

### To attach the buttons onto a keypad:

- 1 Remove the keypad button tray and the keypad buttons from the packaging.
- 2 Identify all of the pieces in the keypad tray.

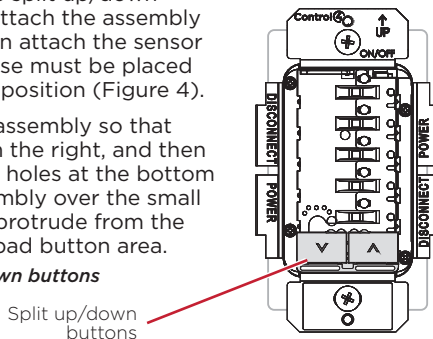
Figure 1: Keypad Button Kit



- 3 Determine the desired button layout. Buttons can be mixed and matched as desired, using the split up/down, single-, double-, or triple-height buttons in the kit.
- 4 If you are using the split up/down button assembly, attach the assembly (Figure 2), and then attach the sensor bar (Figure 3). These must be placed first in the bottom position (Figure 4).

Orient the button assembly so that the up button is on the right, and then slide the mounting holes at the bottom of the button assembly over the small black prongs that protrude from the bottom of the keypad button area.

Figure 2: Split up/down buttons



- 5 Snap the sensor bar onto the bottom of the button area of the keypad where the small black prongs protrude (Figure 3). The sensor bar is the small clear bar (Contemporary) or the small bar with a clear window.

- ✎ **Note:** Orient the sensor bar so that the curved edge faces toward the bottom of the keypad and protruding sensor edge faces toward the top of the keypad.

Figure 3: Attach sensor bar (shown without split up/down buttons)

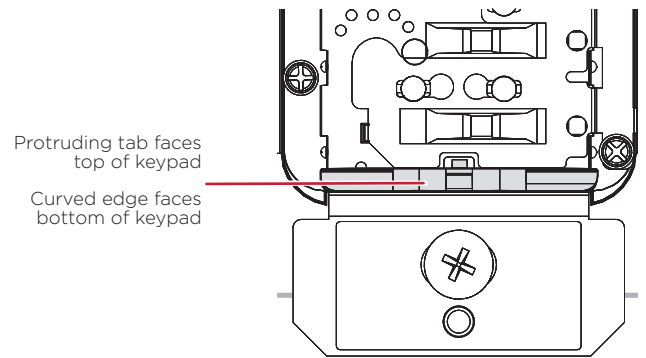
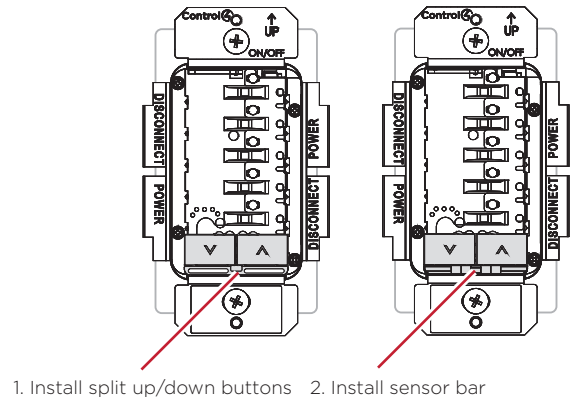
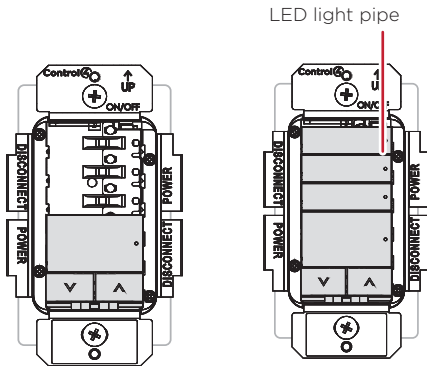


Figure 4: Sensor bar with split up/down buttons



- Starting at the bottom, snap the buttons onto the keypad in the desired button layout (Figure 5). Buttons should be oriented so that the status LED light pipe is on the right side of the button.

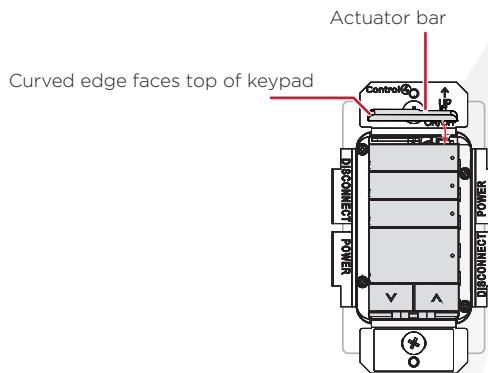
Figure 5: Attach all buttons



- Snap the actuator bar over the thin black rail that protrudes near the top of the keypad button area (Figure 6). Orient the actuator bar so that the curved edge faces toward the top of the keypad and the bottom straight edge faces toward the bottom of the keypad.

**Note:** The actuator bar for Keypad Dimmers has a prong that must be inserted into the Keypad Dimmer prior to attaching the actuator bar.

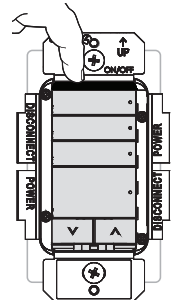
Figure 6: Attach actuator bar



#### To remove the keypad buttons:

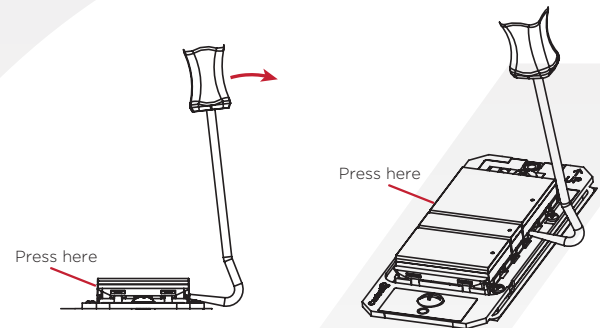
- If the faceplate is already installed, remove the faceplate and subplate.
- Remove the actuator bar first (Figure 7) by using your fingers to gently pull the actuator bar forward.

Figure 7: Remove actuator bar first



- Remove the buttons from top to bottom, the top-most button first. Using your finger or thumb, press on the left side of the button. Using a hook pick or angle hook pick, insert the point of the hook between the button and button base directly above the button attachment tab, and rotate the tool toward the wall. This action enables the hook to lift the button away, releasing the tab from the baseplate. To prevent damage to the device, turn off power to the device when using the hook tool.

Figure 8: Remove keypad button



- After you install or change the button configuration, you must change the keypad button properties in Composer. See the *Composer Pro User Guide* on the Dealer Portal for details.

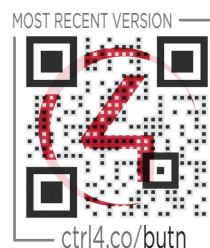
## Keypad button removal

**Note:** Remove buttons and the ambient light sensor bar with care. If any button or ambient light sensor attachment point breaks, the button baseplate can be replaced without removing the device from the wall. A replacement kit (RPK-KSBASE) with new button baseplates and screws can be requested through Technical Support, if you encounter this problem. When replacing a button baseplate, remember to turn off the circuit breaker to prevent damage to the device.

**Note:** For easier installation or removal of the Keypad Dimmer or Configurable Keypad bottom button, remove the bottom two screws that attach the button baseplate. Older devices may also include screws with larger screw heads that can be replaced with new screws provided in the button baseplate replacement kit (RPK-KSBASE) available upon request through Technical Support.

## Warranty and legal information

Find details of the product's Limited Warranty at [snapav.com/warranty](https://snapav.com/warranty) or request a paper copy from Customer Service at [866.424.4489](tel:866.424.4489). Find other legal resources, such as regulatory notices and patent information, at [snapav.com/legal](https://snapav.com/legal).



### More help

For the latest version of this guide, open this URL or scan the QR code. Your device must be able to view PDFs.

