

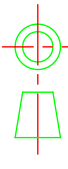
1 2 3 4 5 6 7

IF IN DOUBT, ASK.

A3 DRG. No.

PROPRIETARY INFORMATION
This document contains proprietary information which is forwarded to you in confidence for a specific purpose. It shall not be reproduced nor transferred to other documents nor disclosed to others, nor used for manufacturing or any other purpose without the prior written permission of Digital Projection Ltd. It shall be returned immediately upon request.

DRAWN BS 308
3rd Angle Projection



Distribution Code

Last Change

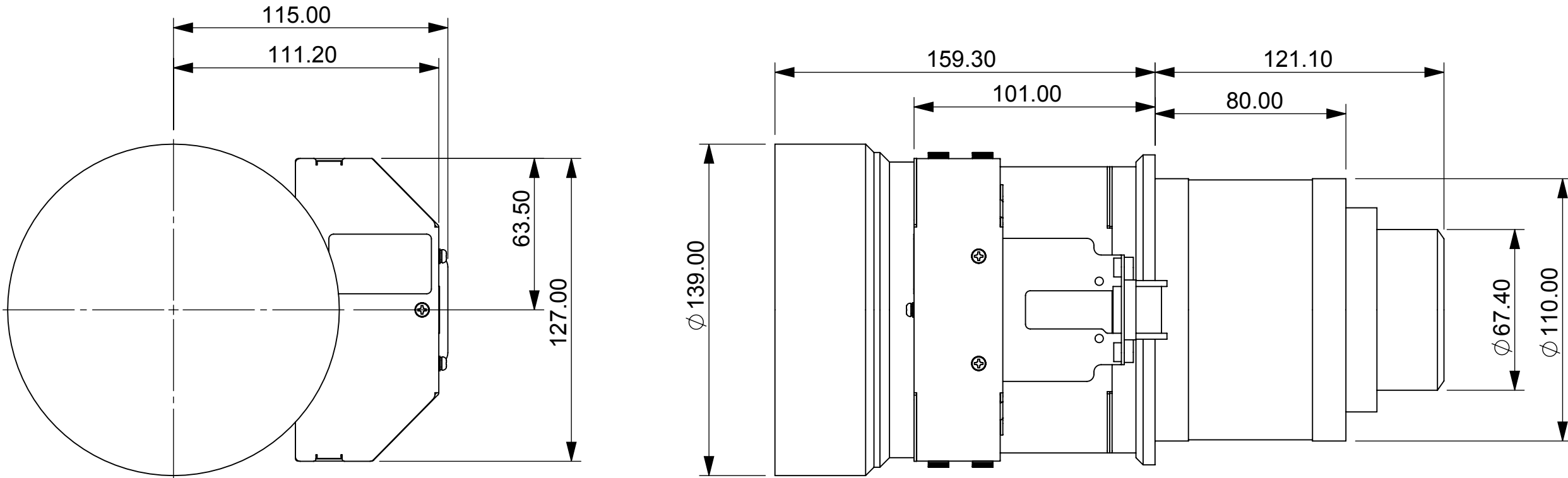
A

B

C

D

E



ITEM NO.	QTY.	PART NO	DESCRIPTION	REVISION
5	1	120-328	COVER ASSY, MOTOR A, DELTA	B
6	1	112-703	LABEL, ZOOM LENS, 4.16-6.96-1 WUXGA-4K-UHD	C

3					
2					
1					
	ITEM	DESCRIPTION	REFER TO	No Off	REMARKS
B	MATERIAL		FINISH		
A					
PRE REVS	CODE				

TOLERANCES UNLESS OTHERWISE STATED		CAD GENERATED DRAWING. DO NOT MAKE MANUAL CHANGES				FIRST USED ON	
METRIC: 1.000 = ±0.01 1.00 = ±0.1 1.0 = ±0.2 1 = ±0.4		DIMENSIONS IN MILLIMETRES				Unless Otherwise Stated REMOVE ALL BURRS & SHARP EDGES. DO NOT SCALE DRAWING THE SURFACE TEXTURE ROUGHNESS NUMBER OF MACHINED SURFACES SHOULD BE EQUAL TO OR LESS THAN 0.8µm (N6 CLA32)	
IMPERIAL Fractional ±1/64" Decimal ± 0.005"		REV.	B			ORIGINAL SCALE	1:2
ANGLES ± 0° 30'		NOTE				DRAWN	ddarnbrook
		DRAWN	jcharnley			APP.ENG.	
		DATE	27-09-19			DATE	19-12-06



TITLE		COMPONENT OR DRG.No.
LENS, 4.51-7.53,1 SX+ , 4.16-6.96,1 1080P		105-613
		A3:SHEET 1 OF 1