

A2 DRG. No.

PROPRIETARY INFORMATION  
This document contains proprietary information which is loaned to you in confidence for a specific purpose. It shall not be reproduced or transferred to other documents or other purpose without the prior written permission of Digital Projection Ltd. It shall be returned immediately upon request.

DRAWN BS 308  
3rd Angle Projection

Distribution Code

1 2 3 4 5 6 7 8 9

A

B

C

D

E

F

IF IN DOUBT, ASK.

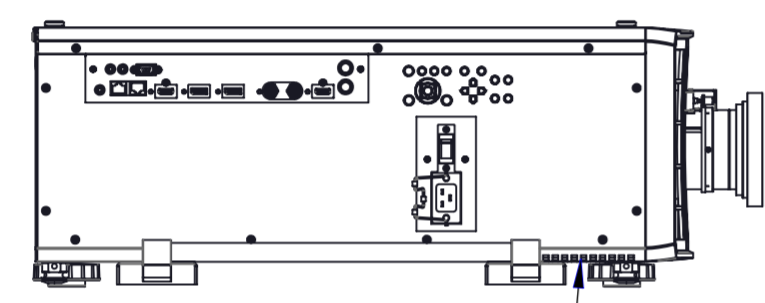
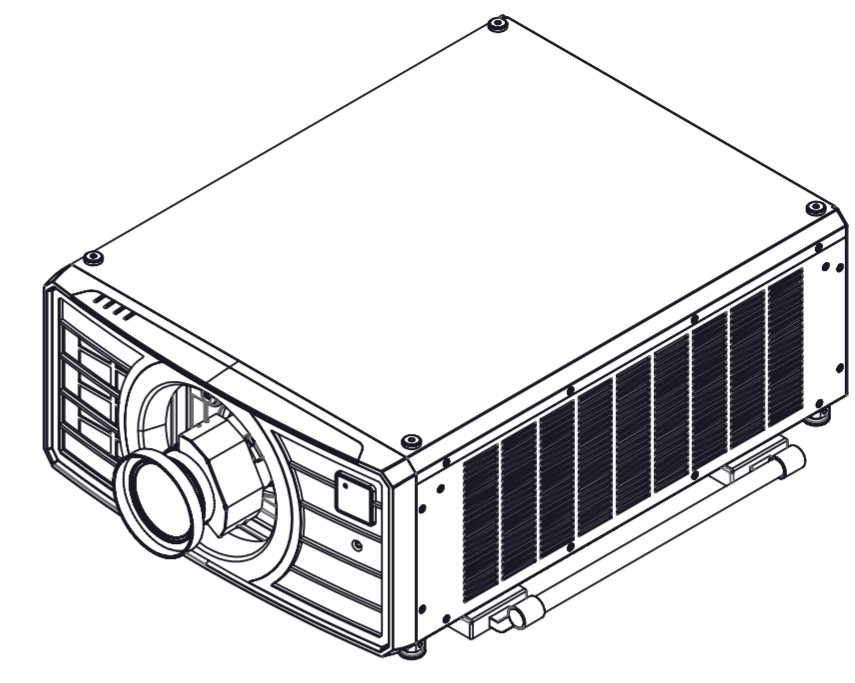
Center of Gravity without lens

REAR OUTLET

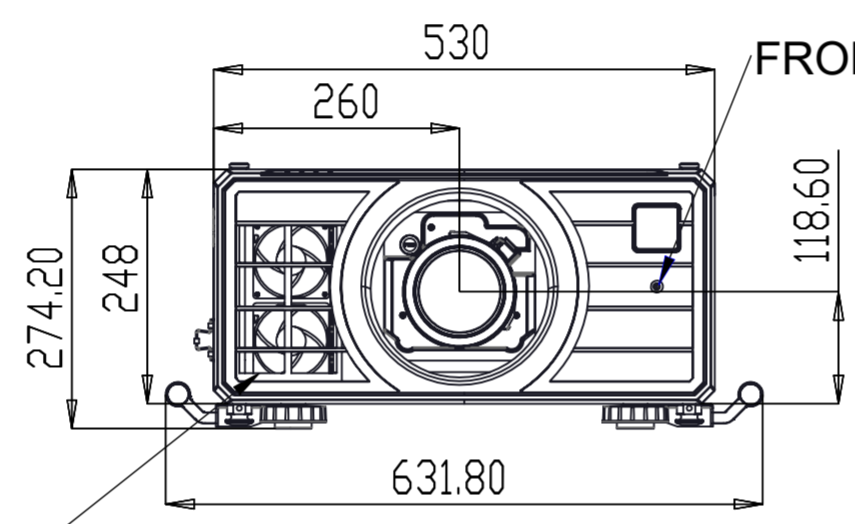
LEFT INLET

LEFT INLET

FRONT INLET



UNDERSIDE RIGHT INLET



FRONT INLET

FRONT IR

LENS TR 0.84-1.03

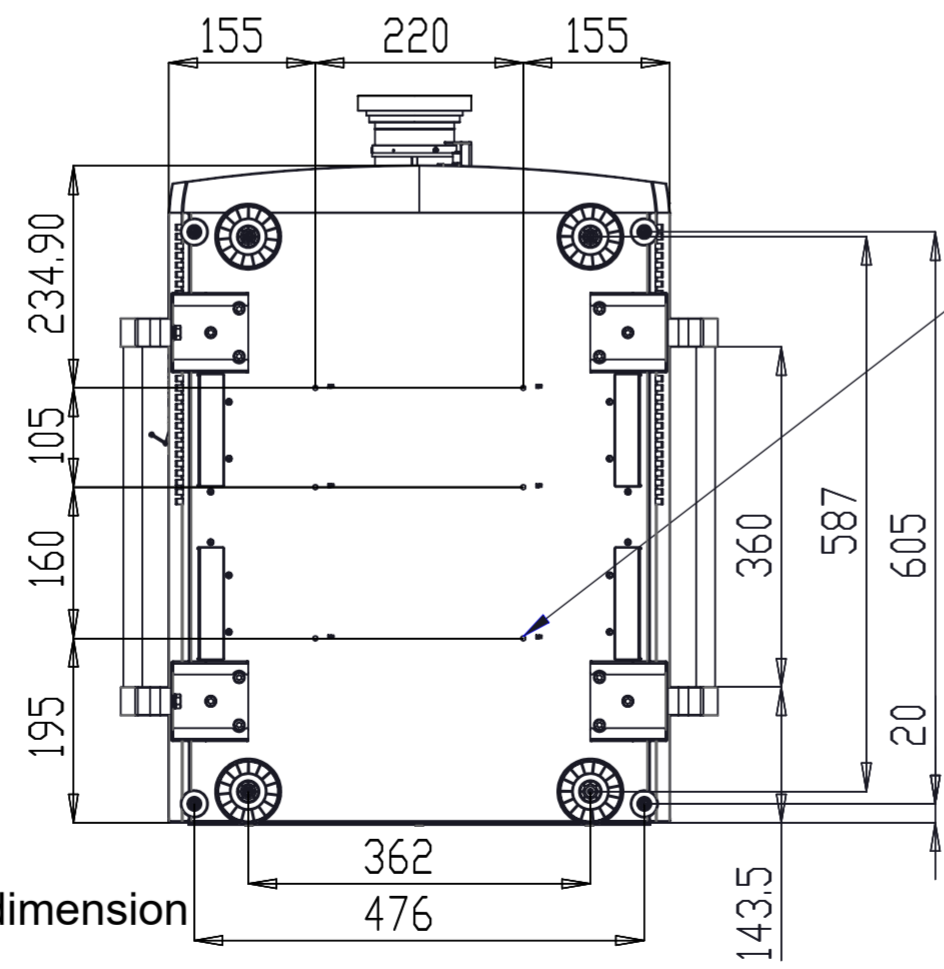
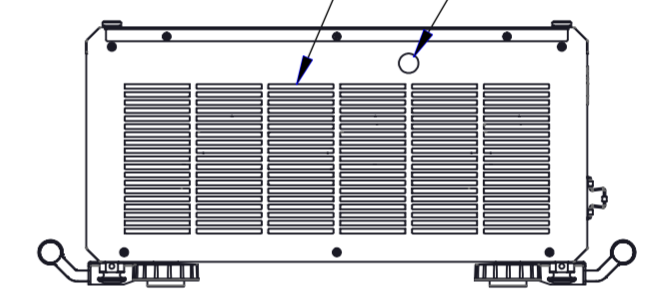
LEFT INLET

LENS EXT - SEE TABLE

695.60

UNDERSIDE LEFT INLET

REAR OUTLET  
REAR IR



Ceiling mount dimension

6-CEILING MOUNT HOLE  
M6\*1 MAX. L=16mm SCREW

LENS EXTENSION TABLE

PART No.	THROW RATIO	EXTENSION DIM.
120-624	LENS 0.9-1.2	117.7
120-625	LENS 1.2-1.56	100.6
120-626	LENS 1.5-2	96.4
120-627	LENS 2-4	120.3
120-628	LENS 4-7	117.2

LOCATION	AMBIENT TEMP 25°C	AMBIENT TEMP 35°C
FRONT INLET	16.7 CFM	39.3 CFM
REAR OUTLET	185.3 CFM	406.9 CFM
UNDERSIDE LEFT INLET	2.3 CFM	5.5 CFM
UNDERSIDE RIGHT INLET	1.6 CFM	3.8 CFM
LEFT INLET	64.9 CFM	183.6 CFM

PRE REVS	ITEM	DESCRIPTION	REFER TO	No OFF	REMARKS
7					
6					
5					
4					
3					
2					
A	1				

CAD GENERATED DRAWING  
DO NOT MAKE MANUAL CHANGES

LAST CHANGE

UPDATED 25-1-21

TOLERANCES UNLESS OTHERWISE STATED

METRIC: 1.000 = ±0.01  
1.00 = ±0.1  
1.0 = ±0.2  
1 = ±0.4

IMPERIAL Fractional ±1/64"  
Decimal ± 0.005"

ANGLES ± 0° 30'

Unless Otherwise Stated

DIMENSIONS IN MILLIMETRES

REMOVE ALL BURRS & SHARP EDGES. DO NOT SCALE DRAWING  
THE SURFACE TEXTURE ROUGHNESS NUMBER OF MACHINED SURFACES SHOULD BE EQUAL TO OR LESS THAN 0.8um (N6 CLA32)

REV. A

NOTE

DRAWN jcharnley

APP.DO.

DATE 13-11-20

FIRST USED ON

ORIGINAL SCALE 1:8

DRAWN jcharnley

APP.ENG.

DATE 05-05-17

DIGITAL PROJECTION

MIDDLETON M24 1XX

TITLE PROJECTOR, M-VISION LASER 18K, WUXGA

COMPONENT OR DRG.No. 118-053

A2-SHEET 1 OF 1