

A2 DRG. No.

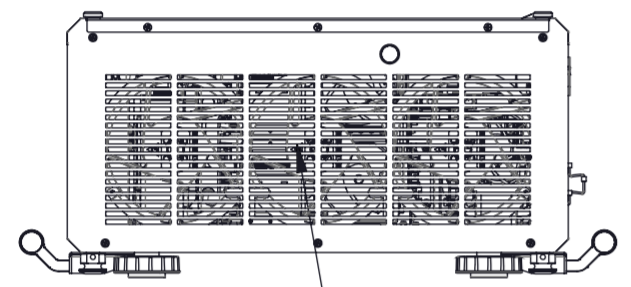
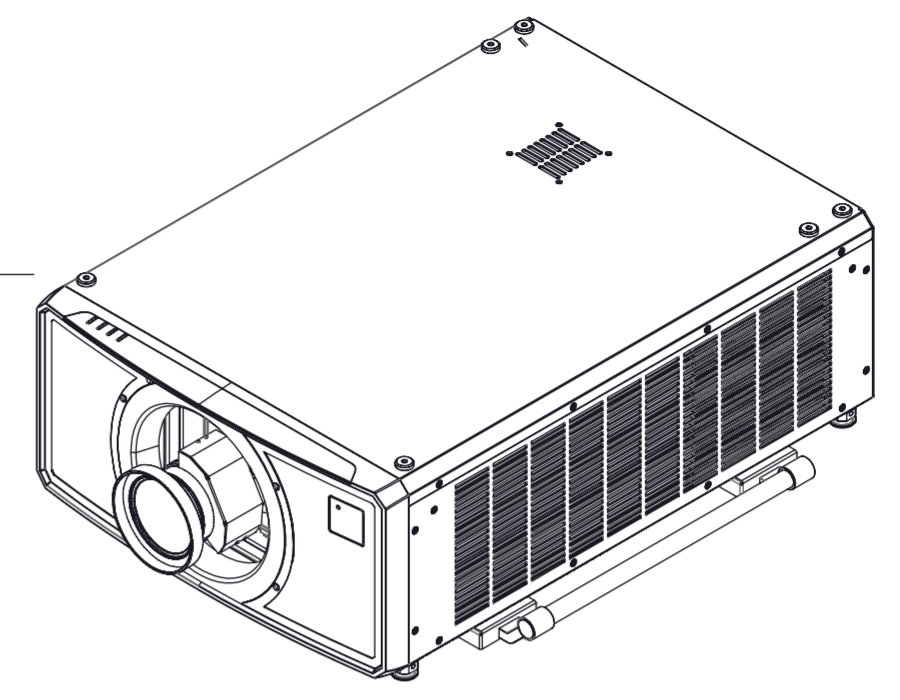
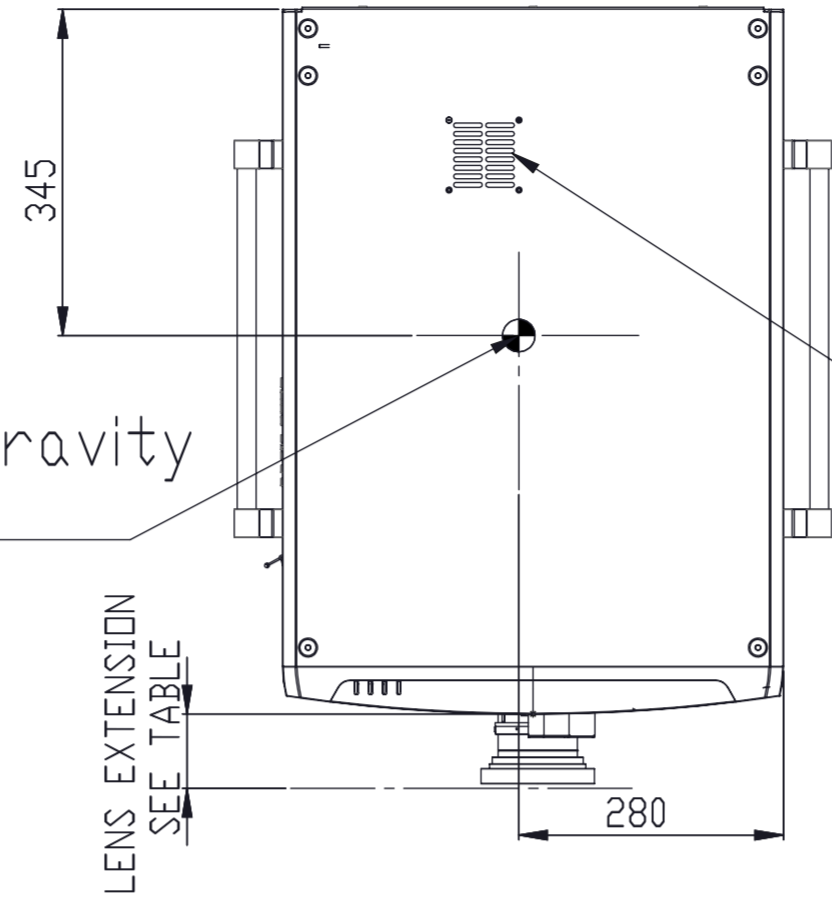
PROPRIETARY INFORMATION
 This document contains proprietary information which is loaned to you in confidence for a specific purpose. It shall not be reproduced, copied, disseminated, or otherwise used for any other purpose without the prior written permission of Digital Projection Ltd. It shall be returned immediately upon request.

DRAWN BS 308
 3rd Angle Projection

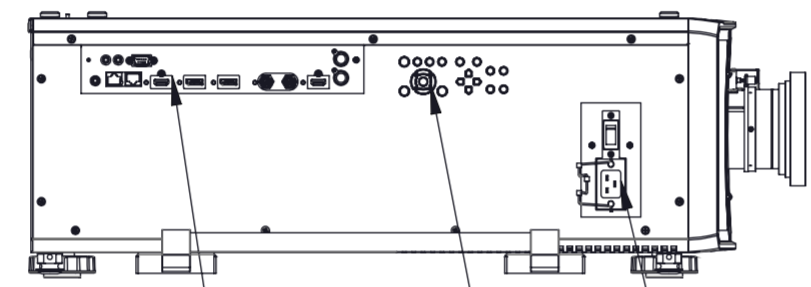
Distribution Code

IF IN DOUBT, ASK.

Center of Gravity without lens

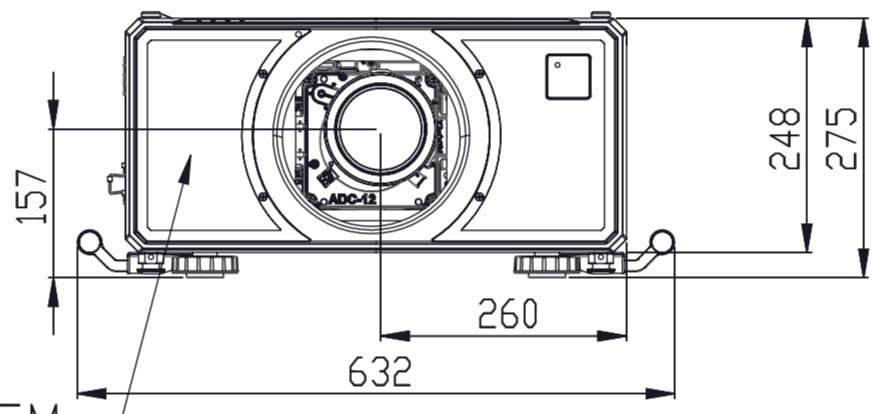


AIR OUT
368.75CFM

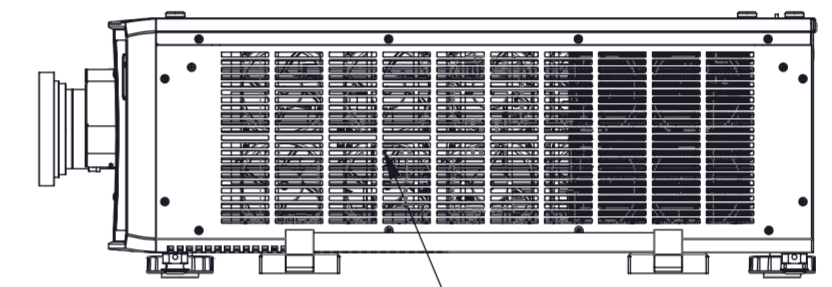


I/O

KEYPAD

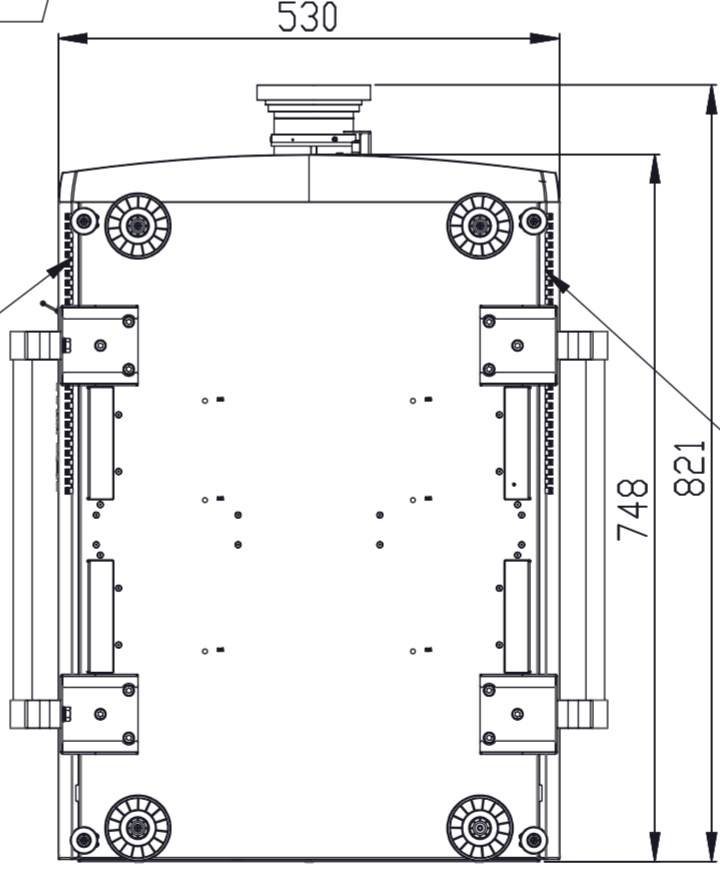


AIR IN
14.46CFM



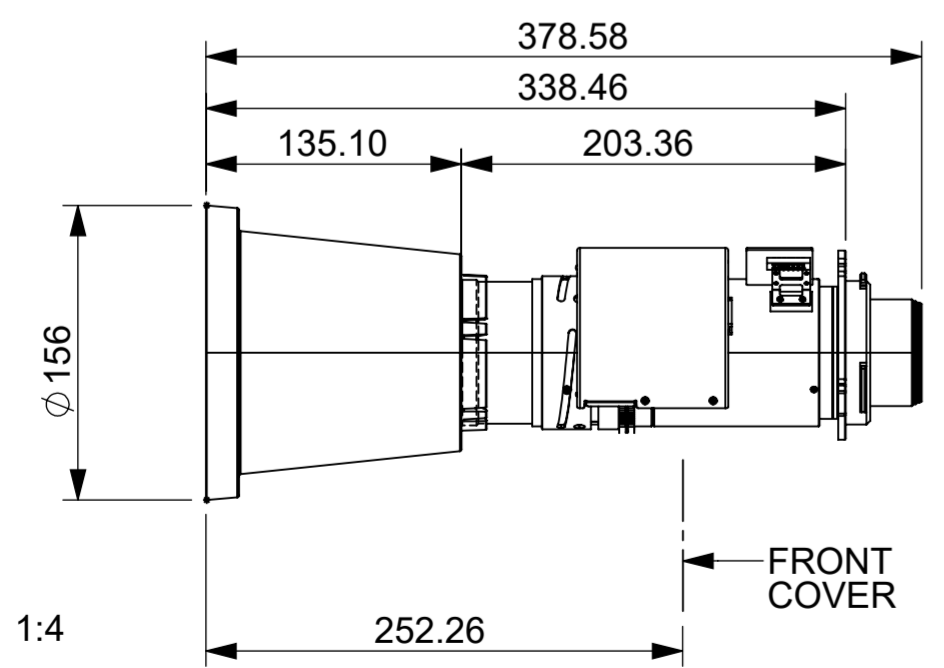
AIR IN
118.13CFM

AIR IN
1.60CFM



AIR IN
2.46CFM

LENS, 4.0-7.0:1 (117-463)
 WITH LENS HOOD (120-017) FITTED - USA ONLY



LENS EXTENSION TABLE

PART No.	LENS THROW RATIO	EXTENSION DIM	EXTENSION DIM WITH HOOD FITTED
120-624	0.9-1.2:1	117.7	N/A
120-625	1.2-1.56:1	100.6	N/A
120-626	1.5-2.0:1	96.4	N/A
120-627	2.0-4.0:1	127.3	N/A
120-628	4.0-7.0:1	117.2	N/A
120-628	4.0-7.0:1	N/A	252.3

7					MATERIAL	CAD GENERATED DRAWING DO NOT MAKE MANUAL CHANGES	TOLERANCES UNLESS OTHERWISE STATED	Unless Otherwise Stated DIMENSIONS IN MILLIMETRES	FIRST USED ON		MIDDLETON M24 1XX
6					CODE	LAST CHANGE	METRIC: 1.000 ±0.01 1.00 ±0.1 1.0 ±0.2 1 ±0.4	REMOVE ALL BURRS & SHARP EDGES. DO NOT SCALE DRAWING THE SURFACE TEXTURE ROUGHNESS NUMBER OF MACHINED SURFACES SHOULD BE EQUAL TO OR LESS THAN 0.8um (N6 CLA32)	ORIGINAL SCALE 1:8		
5					FINISH	DATE OF ISSUE 25-1-21	IMPERIAL: Fractional ±1/64" Decimal ± 0.005"	REVISIONS	DRAWN jchamley	PROJECTOR, M-VISION LASER 21K	COMPONENT OR DRG.No.
4							ANGLES ± 0° 30'	REV. A	APP.ENG.	119-673	1 OF 1
3								NOTE	DATE 23-04-18		
2								DRAWN			
1								APP.DO.			
PRE REVS	ITEM	DESCRIPTION	REFER TO	No OFF	REMARKS			DATE	13-11-20		A2-SHEET