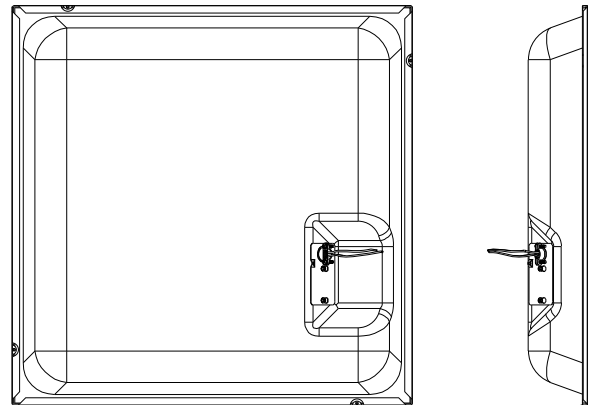


ECS-200-70V-2x2-TR ECS-400-70V-2x2-TR

WELCOME TO EPISODE[®]

Thank you for purchasing a great product from Episode[®], one of the best sounding speaker lines available today. We appreciate your purchase and are committed to providing the highest quality products possible.

The Episode[®] Commercial Series In-Ceiling Tile Replacement models are a superb choice for almost every type of acoustic ceiling commercial speaker installation. They have been designed to meet the needs of commercial audio installation specialists everywhere.



FEATURES

- Easily install an acoustic ceiling speaker in 2x2 ceiling without the need to cut tiles. Much less install time per speaker.
- Multi tap transformer for fast and easy adjustment.
- High quality speaker materials for great sound and long life.
- Grill color blends perfectly into commercial ceilings.
- ECS-200-70V-2X2-TR is optimal for lower level background music and low frequency ranges.
- ECS-400-70V-2X2-TR is optimal for foreground music, voice and higher frequency ranges.
- ECS-400-70V-2X2-TR can be used as an 8 ohm or 70 volt speaker.

PACKAGE CONTENTS

- (1) ECS-200-70V-2X2-TR or ECS-400-70V-2X2-TR Loudspeaker Assembly
- (1) 3/8" Flex Conduit Connector (pre-installed in 1/2 inch knockout in access plate)

**UL Listed 1480 "Material and construction permits use where ceiling plenum is part of the air handling system"
Type G—General Signaling**



IMPORTANT INSTRUCTIONS AND CONSIDERATIONS FOR INSTALLATION

The installation methods should be in accordance with the applicable section of the National Electrical Code, ANSI/NFPA 70, and/or the National Fire Alarm Code, ANSI/NFPA 72, as applicable. The wiring method and compartment should not interfere with the operation of the speaker.

SPEAKER INSTALLATION AND WIRING

Overview

In a 70V system, a speaker wire is run from the amplifier location to the first speaker location. A “loop out” is run from the first speaker to the second speaker, the second speaker to the third speaker, etc. If installing with a standard 4/8 Ω amplifier (not 70V system), a separate speaker wire must be run from the amplifier to each speaker location.

TOOLS REQUIRED

- #2 Phillips Screwdriver
- Wire nuts or connectors for splicing a quantity of (3) 18 AWG conductors
- Wire Strippers

Recommended Wiring

- 18 AWG, stranded, 2 conductors.

Note: Some ceilings are rated for use as a plenum return for heating and cooling. In these areas, you **must** use plenum type cable or conduit to pass building inspection. Consult with local building code enforcement to determine the requirements of each job.

General Guidelines

- Wash your hands or put on clean gloves before handling the speakers. They are very easy to stain.
- In most cases, it is easiest to install a speaker system by prewiring and then installing the speakers.
- Keep speakers about 2 feet away from corners and other surfaces that might interfere with or reflect sound, such as tall furniture.
- For rooms less than 300 square feet, two speakers should suffice. The further apart they are, the better the sound will be. However, keep the distance at a maximum of 8-10 feet to avoid a “hole” in the middle.
- For rooms larger than 300 square feet, use 3 or more speakers. Stagger them across the space for ideal sound dispersion.

Installation

1. Remove the tile from the ceiling where the speaker will be placed. Locate or install the wire/s for the speaker connection in the ceiling back to the amplifier. When you aren't enclosing the speaker wire in conduit, leave a loop of wire long enough to allow you to connect it to the loudspeaker either on the ground or at the top of the ladder before you install the speaker in the grid.
2. Strip the insulation on each conductor back approximately 1/2 inch. Attach your speaker wiring signal (+) wire to the red lead and the common (-) wire to the black lead using wire nuts or appropriate connectors.

Note: If using conduit connectors other than what is provided, loosen, but do not remove, the screws holding the access plate and slide the plate up to detach it from the speaker assembly. Attach the access plate to the new conduit fittings before joining the wiring, then re-attach the cover plate.

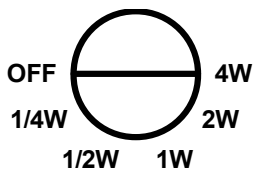
3. Push the connections into the speaker makeup cavity.

Note: Do not use the back plate cavity as a junction for wiring that is not powering the speaker!

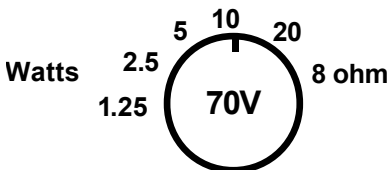
4. Set the loudspeaker tap to the appropriate setting using the rotary switch on the back of the loudspeaker. See Transformer Setting for wattage options. There is also a diagram on the speaker for easy reference.
5. Place the loud speaker into the grid opening. Make sure that all 4 sides sit evenly.
6. Attach security tie wire to the edges of the speaker and attach the other ends to the ceiling support system per your local building code.

TRANSFORMER SETTING

ECS-200-70V-2x2-TR Tap Settings



ECS-400-70V-2x2-TR Tap Settings



SPECIFICATIONS

ECS-200-2x2-TR	
Woofers:	8 inch Hard Fiber Paper Cone
Enclosure Material:	1412 CID FP
Power Handling:	12 Watts RMS EIA 426A Standard
Frequency Response:	65Hz-20KHz EIA 426A Standard
Sensitivity 1 W / 1 Meter:	92 dB
Calculated Max Output:	98 dB-SPL 4 W / 1 Meter
Weight:	7 lbs
Grill Type:	Baked Epoxy Hybrid Paint
Transformer Settings:	1/4w, 1/2w, 1w, 2w, 4w
Dimensions:	23 13/16" H x 23 13/16" W x 3 7/16" D
Conduit Knockout Size:	1/2" Trade Size (.866" actual size)

ECS-400-2x2-TR	
Woofers:	6 1/2 inch Polypropylene Cone
Tweeter:	1" Mylar
Enclosure Material:	1412 CID FP
Power Handling:	30 Watts RMS EIA 426A Standard
Frequency Response:	60Hz-20KHz EIA 426A Standard
Sensitivity 1 W / 1 Meter:	90 dB
Calculated Max Output:	104 dB-SPL 20 W / 1 Meter
Weight:	9 lbs
Grill Type:	Baked Epoxy Hybrid Paint
Transformer Settings:	1.25w, 2.5w, 5w, 10w, 20w, 8 ohm
Dimensions:	23 13/16" H x 23 13/16" W x 3 7/16" D
Conduit Knockout Size:	1/2" Trade Size (.866" actual size)

TROUBLESHOOTING

Episode® speakers are designed to function trouble-free. Most problems that occur are due to simple issues. If you have trouble, please check the list of simple fixes below. If the problem persists, contact Episode® Customer Service at 1.866.838.5052

No Sound

- Verify that there is audio coming from the source selected. Select another source if necessary.
- Ensure that the audio source is turned on and connected properly.

WARRANTY



Limited Lifetime Warranty

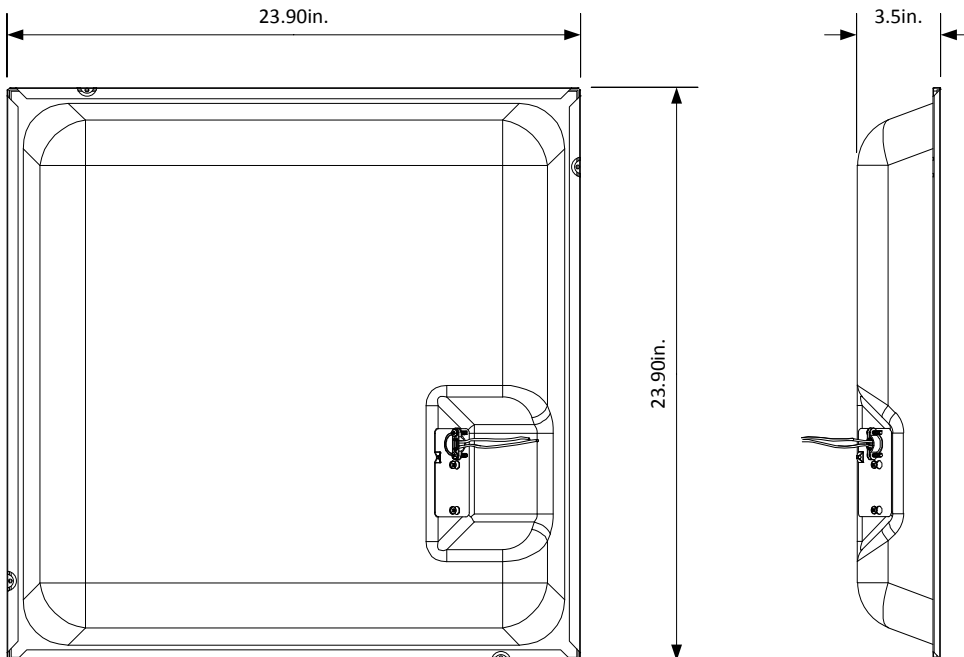
Episode® in-wall, in-ceiling and bookshelf Speakers have a Lifetime Limited Warranty. This warranty includes parts and labor repairs on all components found to be defective in material or workmanship under normal conditions of use. This warranty shall not apply to products which have been abused, modified or disassembled. Products to be repaired under this warranty must be returned to SnapAV or a designated service center with prior notification and an assigned return authorization number (RA).

CONTACTING TECHNICAL SUPPORT

Phone: (866) 838-5052

Email: Techsupport@snapav.com

DIEMENSIONS



episode®
commercial