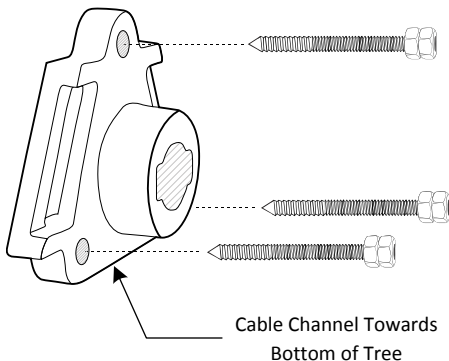


Thank you for your purchase of the Episode® ES-LS-MOUNT-TREE. This mount is designed to be used with the included stainless steel hanger bolts, or it can be mounted via a strap to a tree or post (strap not included).

Contents

- Tree Mounting Bracket (1)
- ¼-20 Painted Stainless Steel Hex Nuts (6)
- 3" Stainless Steel Hanger Bolts (3)
- Allen Screw (1 - Not Needed for Speaker Installation)



Installation Instructions

- Place the bracket in the mounting location with the cable slot oriented for the speaker wiring (typically facing down).
- Drill a 5/32" pilot hole through each of the 3 mounting holes. This will make the installation of the hanger bolt much easier.
- Attach two hex nuts to each of the hanger bolts so that the nuts lock together at the end of the bolt as shown.
- Using a 7/16" socket, attach each hanger bolt firmly into the tree or post. We recommend leaving both hex nuts on the bolt so that the speaker may be easily adjusted in the future.