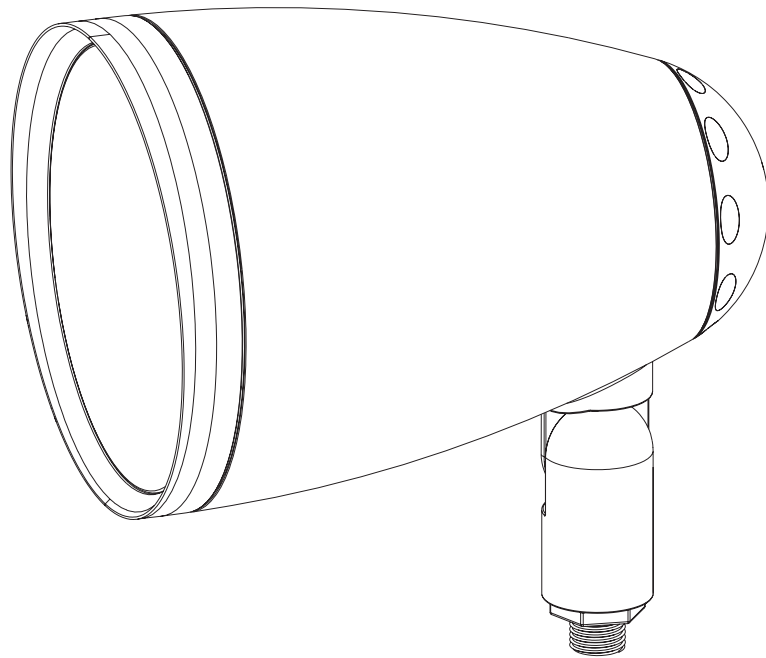


episode[®] engineered by
Snap_{av}

OWNER'S MANUAL

70V / 8 ohm Landscape Speakers

ES-LS-SAT-4 / ES-LS-SAT-6



WELCOME TO EPISODE®

Thank you for purchasing a great product from Episode®, one of the best sounding loudspeaker lines available today. We appreciate your purchase and are committed to providing the highest quality products possible.

The Episode® Landscape Series Loudspeakers are a superb choice for outdoor applications where exposure to moisture or extreme temperatures is expected. Their compact design allows them to blend easily into their environment without compromising on the sound quality. Advanced, reliable components guarantee high performance for a lifetime of enjoyment.

1. PACKAGE CONTENTS

- (1) ES-LS-SAT-4 or ES-LS-SAT-6
- (2) Weatherproof Wire Nuts

2. TOOLS REQUIRED

- #2 Philips Screwdriver
- Wire Strippers

3. MOUNTING ACCESSORIES

ES-LS-SAT loudspeakers do not include a mounting base. This is done so that you may select the best mounting method for every loudspeaker and order the mounts separately.

The threaded mounting post of the loudspeaker has been designed to be compatible with standard landscape lighting accessories with a ½" thread to provide a wide variety of mounting options.

Episode also offers several mounting options, all available separately:

- Sealed 5"x5" underground mount box
- Stake mount for ground installations
- Tree mount
- Surface Mount

4. IMPORTANT INSTRUCTIONS AND CONSIDERATIONS FOR INSTALLATION

- Read and follow all instructions.
- Before beginning installation, carefully plan locations, accounting for potential electrical, plumbing, irrigation, or other obstacles.
- Contact a suitable contractor if you are unsure of how to best install.

5. INSTALLATION

5.1 Determining Loudspeaker Locations

- Plan locations with no more than 25'-30' spacing between satellite speakers. Using more speakers in an area allows for more even sound coverage. 70 volt systems can be fine-tuned further using the wattage tap setting to determine the final volume of each loudspeaker.
- Landscape speakers can be installed at ground level pointing into the center of an area instead of high up on walls or trees to help reduce sound escaping to other areas.
- If using a stereo sound system, place left and right speakers evenly to avoid uneven sound. Mono systems provide more even coverage without sounding uneven.

5.2 Mounting Considerations

- When mounting outdoors, the upward angle must be at 45° or less to prevent water from collecting in the speaker driver. While water alone will not damage the loudspeaker, it will prevent it from playing properly until the water evaporates. Water could also cause damage if the water freezes while in this position.
- Clearance around the speaker is required for mounting, connecting, and adjusting the angle of the speaker. Care should be taken while selecting the mounting area so that the speakers do not become a trip hazard or an obstacle for landscaping equipment.
- Avoid locations where lawn irrigation sprinklers might shoot high pressure water directly into the front of the loudspeaker. The loudspeakers will not be damaged by normal rainfall, but high pressure irrigation systems shooting water directly into the speakers may damage the audio components.

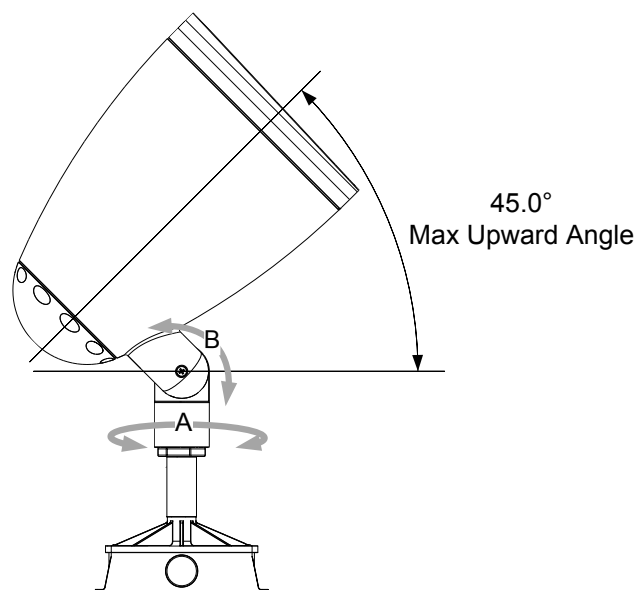
5.3 Loudspeaker Mounting and Angle Adjustments

A. Pan

The pan adjustment of the loudspeaker allows for left to right alignment of sound coverage. This is adjusted using the mounting base threads and lock nut. After attaching the loudspeaker to a compatible mounting accessory, route the makeup lead wires on the speaker into the mounting device, and then thread the speaker base in, leaving about 1/2 turn of play to allow for final adjustment. After the loudspeaker is installed and aimed correctly, use the lock nut on the threads to lock it in place at the correct position.

B. Tilt

The tilt adjustment allows for up and down adjustment of sound coverage. Adjust the angle of the speaker by loosening the set screw on the pivot bracket as illustrated. Adjust the angle to the desired position and re-tighten the screw.



5.4 Speaker Connections

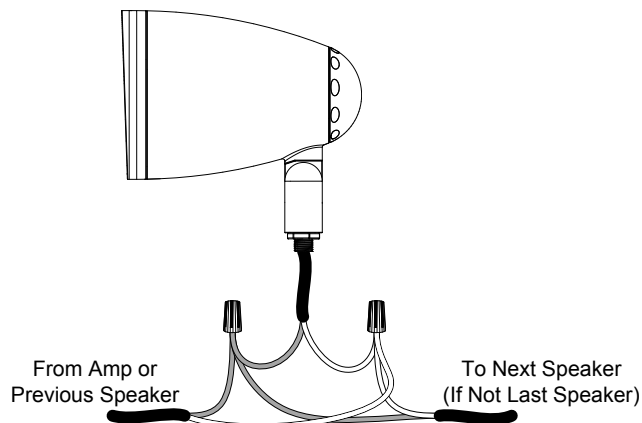
Proper connections are important to the performance of any loudspeaker within an audio system. Performing the following steps will ensure proper connections for optimum performance and reliability.

Warning! Leave the amplifier unpowered and disconnected from the speaker line until all other connections have been made.

Warning! The silicone-filled weatherized wire nuts included with this kit are specially designed to be used for direct burial installations. An equivalent connector must be used for any wiring in the system that could be exposed to water or weather.

Damage to loudspeakers or connected equipment due to inadequate installation will not be covered under warranty.

1. Install the loudspeaker mount to the loudspeaker.
2. Route the loudspeaker cable into the loudspeaker mount. Take care not to damage the wire insulation.
3. Strip the outer jacket of the cable to separate it from the insulated wires inside by at least 2 inches. If a location has a wire loop instead of an end, cut the wire to make a splice point.
4. Strip the insulation on each conductor back approximately ½ inch.
5. Twist the wire/s from the run together with the loudspeaker wire in a clockwise direction; all – (common) wires together and all + (positive) wires together.
6. Insert each set of wires into a waterproof wire nut and twist the nut clockwise until it is firmly seated. Make sure the wire nut completely covers the bare copper. A small amount of silicone may press out of the wire nut as the wires are inserted; this is normal and should be left on the wire for the most reliable connection.
7. Close or secure the connections and the loudspeaker mount per the mount instructions or local building codes.
8. Set the transformer switch to the correct tap setting per the Transformer Tap Settings section before connecting an amplifier to the system.

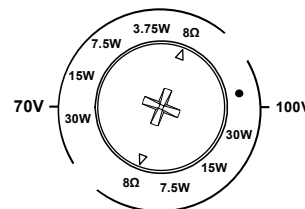


5.5 Transformer Tap Settings

ES-LS-SAT loudspeakers have an adjustable tap setting switch located under the removable rear cover. To adjust the setting, use a flat or Phillips screwdriver to rotate the tap setting dial on the rear of the speaker to the desired mark. When the adjustments are complete and fully tested, install the rear cover of the speaker and hand-tighten it until it is secure.

ES-LS-SAT speakers used in 70/100 volt systems can be set to different wattages for more or less volume at one particular speaker. This makes it much easier to fine tune a system for even listening volume.

Warning! The ES-LS-SAT loudspeaker tap must be set accordingly for the type of amplifier in use (8Ω or 70/100volt). Setting the transformer incorrectly for the amplifier used could damage the speakers or amplifier and is not covered under warranty



5.6 Connecting the Amplifier and Testing

1. After wiring each loudspeaker into the run and setting the taps, attach the speaker wires to the amplifier, making sure to mirror the wiring pattern used in the loudspeakers, + to + and – to -. Connect the amplifier to a source and to power and test the system.
2. Listen to the system from several locations in the audible area. If an area is too loud or quiet, adjust speaker taps or the amplifier volume accordingly until the volume and sound quality is optimized.
3. After optimizing the settings, check the total wattage again to be sure the amp isn't being overworked. It is a good idea to let the system play for about a half hour after setup is done to be sure that the system is reliable.
4. Once the system has been set and tested, the wiring or conduit can be buried or hidden. For any issues with operation or sound quality, please see the Troubleshooting section before contacting Episode for additional support.

6. SPECIFICATIONS

	ES-LS-SAT-4			ES-LS-SAT-6		
Woofers	4" Polypropylene			6" Polypropylene		
Tweeter	¾" Aluminum Dome			¾" Aluminum Dome		
Power Handling	90w RMS			120w RMS		
Tap Settings	70V	100V	8Ω	70V	100V	8Ω
	3.75w	7.5w	Transformer	3.75w	7.5w	Transformer
	7.5w	15w	Bypass	7.5w	15w	Bypass
	15w	30w		15w	30w	
	30w			30W		
Frequency Response (-6db)	116 Hz – 19 kHz			105 Hz – 19 kHz		
Sensitivity (-2.83 V / 1 Meter)	83.5			86.5		
Crossover Frequency	2.9 kHz			2.9 kHz		
Weight	4.25 lbs			6.7 lbs		
Grille Type	Perforated ABS			Perforated ABS		

7. TROUBLESHOOTING

Episode® loudspeakers are designed to function trouble-free. Most problems that occur are due to simple issues. If you have trouble, please check the list of simple fixes below. If the problem persists, contact Episode® Customer Service at 1.866.838.5052

No Sound

- Verify that there is audio coming from the source selected. Select another source if necessary.
- Ensure that the audio source is turned on and connected properly.

8. WARRANTY



LIMITED LIFETIME WARRANTY

Episode outdoor, planter and rock speakers have a Lifetime Limited Warranty. This warranty includes parts and labor repairs on all components found to be defective in material or workmanship under normal conditions of use. This warranty shall not apply to products which have been abused, modified or disassembled. Products to be repaired under this warranty must be returned to SnapAV or a designated service center with prior notification and an assigned return authorization number (RA).

9. CONTACTING TECHNICAL SUPPORT

Phone: (866) 838-5052

Email: Techsupport@snapav.com

episode®
commercial

engineered by
Snap