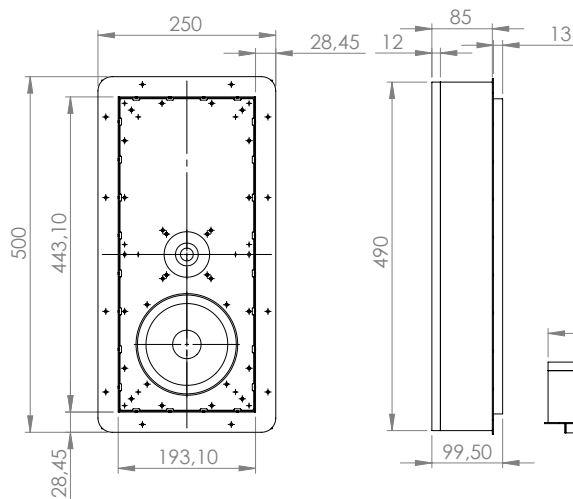


**SIR16M****SIR16V****IN-WALL FOR FLUSH-MOUNT INSTALLATION**

Minimum depth recommended

**White front cover**Code: **41BXM**F

Dimensions HxWxD (cm)	44,0 x 19,0 x 0,8
-----------------------	-------------------

Weight (Kg)	0,45
-------------	------

Finishes	White microperforated grille
----------	---------------------------------

**Loudspeaker**Code (8 Ω): **SIR16M**  
Code (70V / 100V): **SIR16V**

Type	2 way
------	-------

Components	Dome Tw, rubber suspension Wf
------------	-------------------------------

Power RMS / Max (8 Ω)	75 / 150
-----------------------	----------

Power RMS W (70V / 100V)	50,0 - 37,5 - 25,0
--------------------------	--------------------

Freq. resp. (Hz)	70 - 20k
------------------	----------

Sensitivity dB (2,83V/1m)	90
---------------------------	----

Nom. impedance (Ω)	8
--------------------	---

Protection	IP66
Temperature range (°C)	-20 / +100

Woofer Ø (cm)	16,0 / 2,0
Tweeter voice coil Ø (cm)	16,0 / 2,0

Dimensions HxWxD (cm)	44,0 x 19,0 x 7,8
-----------------------	-------------------

Weight (Kg)	2,31 / 2,71
-------------	-------------

**Backbox**Code: **CR1944**

Dimensions HxWxD (cm)	50,0 x 25,0 x 10,0
-----------------------	--------------------

Installation hole plasterboard HxWxD (cm)	44,5 x 19,5 x 10,0 <b>D2</b>
---	------------------------------

Installation hole wall HxWxD (cm)	50,5 x 25,5 x 10,0 <b>D2</b>
-----------------------------------	------------------------------

Weight (Kg)	1,76
-------------	------

Materials	Stainless Steel + Wood
-----------	------------------------



Marine Grille



Marine Speaker



Marine Steel Frame



Wall



Plasterboard

# 70 / 100V Line Toroidal transformer G-Former™



## Wiring Cablaggio Câblage Verdrahtung

Connect to speaker  
*Connessione al diffusore*  
Connexion à l'enceinte  
*Verbindung zum Lautsprecher*

Connect to amplifier  
*Connessione all'amplificatore*  
Connexion à l'amplificateur  
*Verbindung zum Verstärker*

0	Violet <i>Viola</i> Violet <i>Violett</i>	50 W	Brown <i>Marrone</i> Marron <i>Braun</i>
---	--	------	---

100 V	White <i>Bianco</i> Blanc <i>Weiß</i>	37,5 W	Red <i>Rosso</i> Rouge <i>Rot</i>
-------	--	--------	--

70 V	Green <i>Verde</i> Vert <i>Grün</i>	25 W	Blue <i>Blu</i> Bleu <i>Blau</i>
------	--	------	---

Common <i>Comune</i> Câble commun <i>Gemeinsames Kabel</i>	Black <i>Nero</i> Noir <i>Schwarz</i>
---	--

## Specifications

Nominal power (W) <i>Potenza nominale (W)</i> Puissance nominale (W) <i>Nennleistung (W)</i>	50
---	----

Input voltage (V) <i>Tensione d'ingresso (V)</i> Tension d'entrée (V) <i>Eingangsspannung (V)</i>	70 / 100
--	----------

Frequency response (Hz) <i>Risp. in frequenza (Hz)</i> Rép. en fréquence (Hz) <i>Frequenzgang (Hz)</i>	40 - 21K
---	----------

Output power on 8 Ω (W) <i>Potenza di uscita su 8 Ω (W)</i> Puissance de sortie sur 8 Ω (W) <i>Ausgangsleistung auf 8 Ω (W)</i>	50,0 37,5 25,0
--	----------------------

Dimensions H x W x D (cm) <i>Dimensioni A x L x P (cm)</i> Dimensions H x L x P (cm) <i>Abmessungen H x B x D (cm)</i>	3,1 x 6,6 x 6,6
---	-----------------

IP Code Grado di protezione IP Indice de protection IP Schutzart	43
---	----

Weight (Kg) <i>Peso (Kg)</i> Poids (Kg) <i>Gewicht (Kg)</i>	0,39
--	------