

PICTURE PERFECT SOUND®

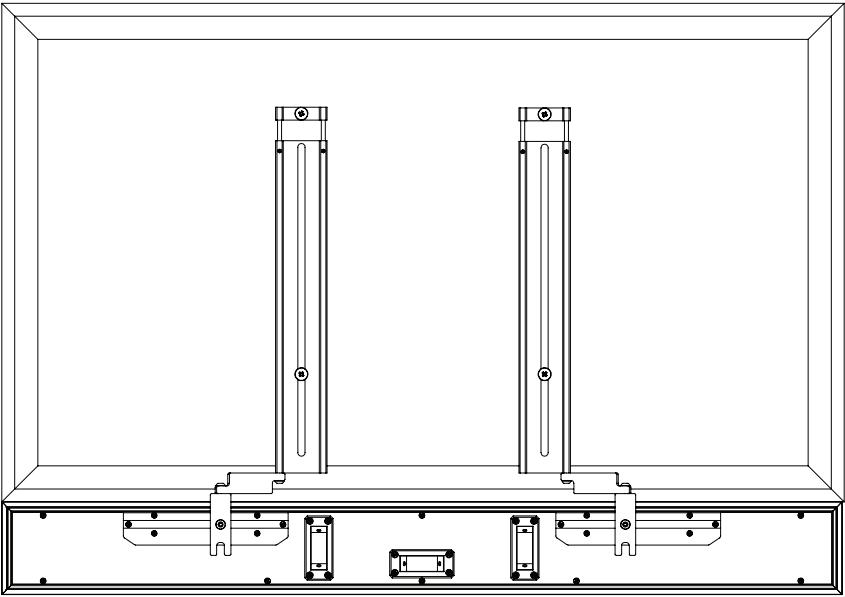


INSTALLATION GUIDE


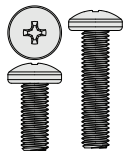
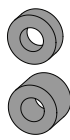



HzUMB

for HzUT, HzUTLX, Hz0T0, Hz33, Hz33LX



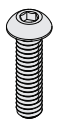

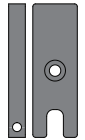
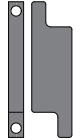

Completed Assembly



Universal TV Mount Hardware

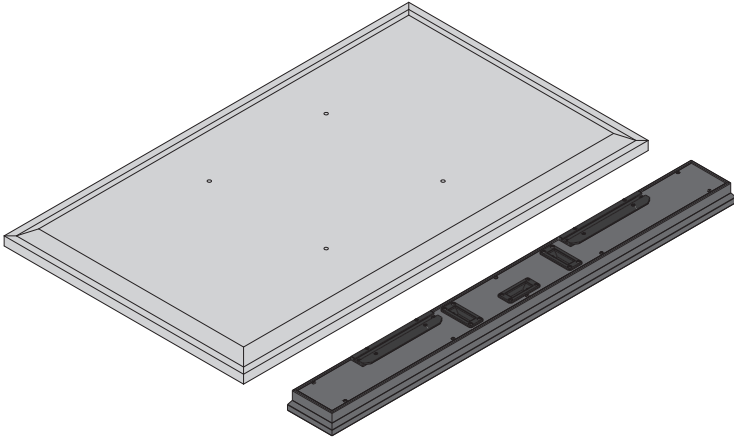
-  8 x M6 Screw
-  8 x M8 Screw
-  12 x Spacers
-  4 x M6 Lock Washer
-  4 x M8 Lock Washer
-  4 x Flat Washer

HzUMB Parts

-  1 x Foam Tape
-  2 x Short Button Head Screw
-  4 x Long Button Head Screw
-  2 x Hex Key
-  2 x Paddles
-  2 x Swing Arm
-  2 x Adjustable Upright

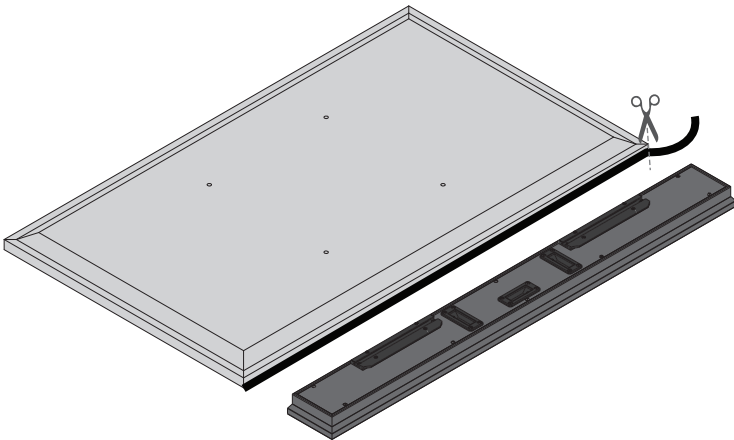
*Drawings not to scale

Fig. 1



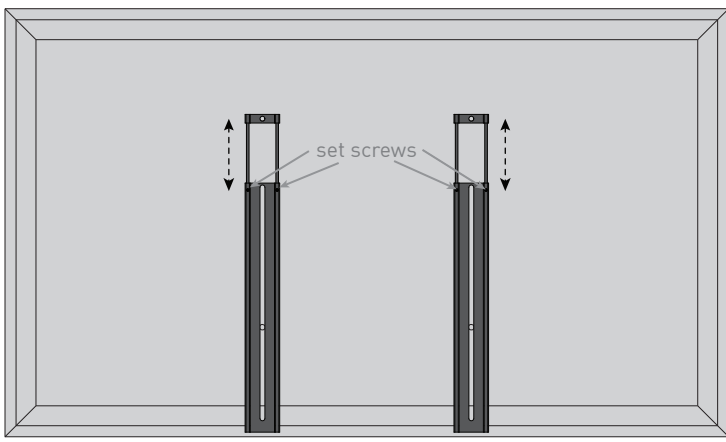
Place **TV** and **Speaker** facedown on a clean, padded surface.

Fig. 2



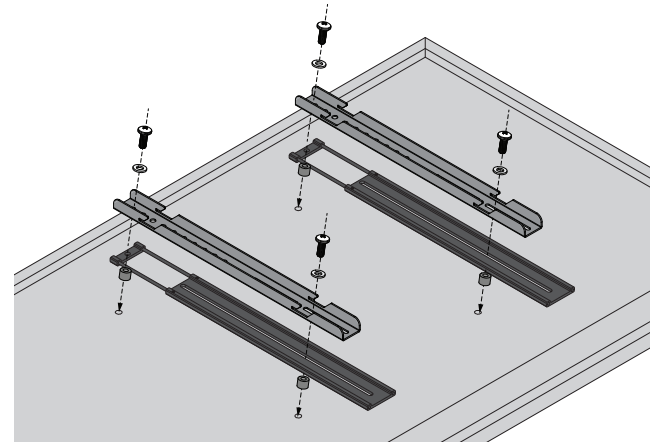
{Optional} For TVs with clear bezels or gaps between speaker and TV, apply **Foam Tape** to TV's edge and cut to size.

Fig. 3



Loosen set screws on **Adjustable Uprights**. Slide **Adjustable Uprights** to align with TV mount holes.

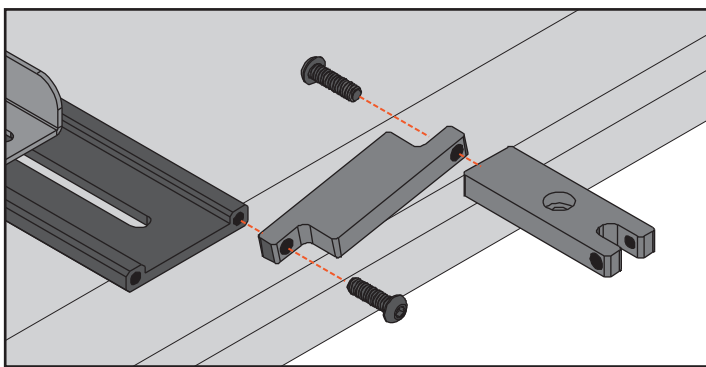
Fig. 4



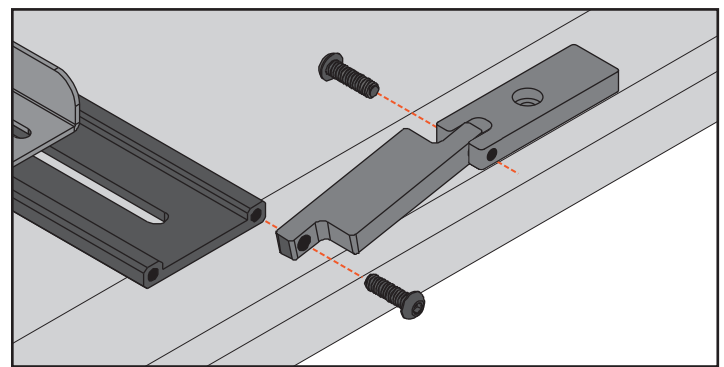
Affix **Adjustable Uprights** and **TV Mount Rails** with **M6 or M8 Screws** and **Washers**. Use **Spacers** as needed to ensure the **Adjustable Uprights** and **TV Mount Rails** are level.

Fig. 5

(A) TV is thinner than speaker



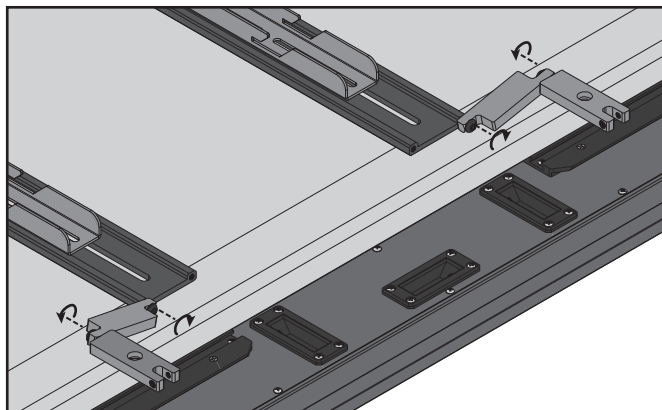
(B) TV is thicker than speaker



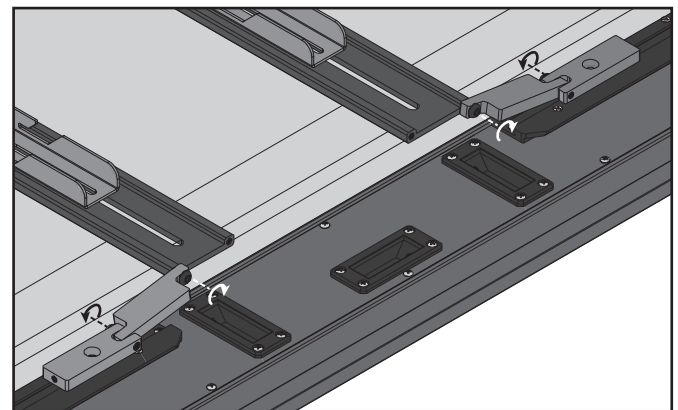
Loosely attach **Swing Arms** to **Paddles** and **Adjustable Uprights** using **Long Button Head Screws**. Typically, **Paddles** will be oriented as shown in (A), but may be turned sideways for thicker TVs as shown in (B).

Fig. 6

(A)



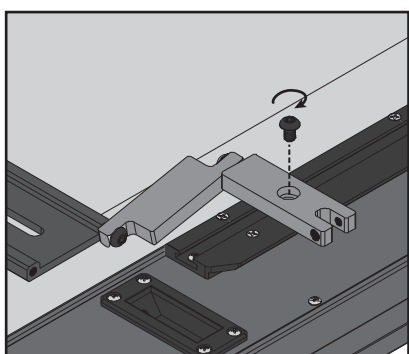
(B)



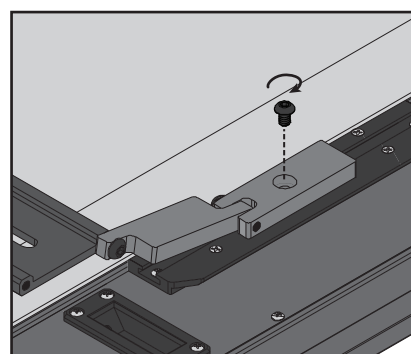
Position the speaker along the TV's edge so the **Paddles** rest on the speaker's mount rails. Align T-nuts in the mount rails with holes on **Paddles**. Tighten the **Long Button Head Screws** with extra torque. (Mount rails and T-nuts come attached to back of speaker.)

Fig. 7

(A)

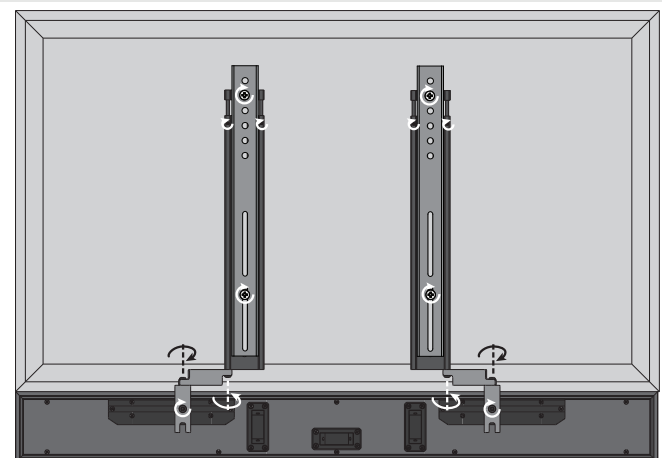


(B)



Slide speaker flush and centered with TV. Screw **Paddles** to sliding T-nut in speaker's mount rails using **Short Button Head Screws**.

Fig. 8



Tighten all screws and set screws down before carefully mounting and wiring the TV and speaker. 2 people are needed for this task.

QUESTIONS?

Call Customer Service
1.888.213.5015
Mon–Fri 8AM–6PM EST

CALL 1.888.213.5015 OR VISIT WWW.LEONSPEAKERS.COM FOR MORE INFORMATION

ALL INFORMATION COPYRIGHT ©2016, LEON SPEAKERS, INC.