

TRIAD QUICK START GUIDE - OUTDOOR OD25 & OD26

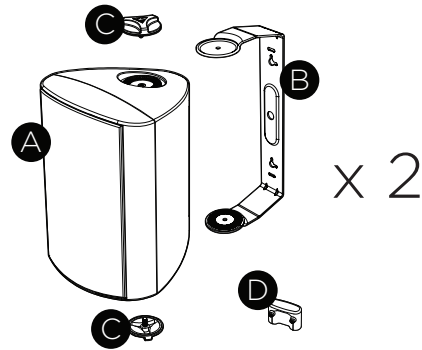
OVERVIEW

Triad outdoor speakers are attractive, weather-resistant speakers engineered in the U.S. to have a rich and full sound. To help them better integrate into their surroundings, Triad Outdoor Speakers are available in custom colors directly from Triad. Thank you for purchasing this product!

IN THE BOX

Two (2) Speaker Assemblies including:

- A - Enclosure
- B - Bracket
- C - Assembly knobs
- D - Silicone binding post covers



PAINTING AT THE FACTORY

OD25 & OD26 outdoor speakers have already undergone an extensive multi-step prep and painting process at the factory. Out of the box they are painted either black or white. OD25 & OD26 speakers can also be painted a custom color to match any environment. This paint is applied at the Triad factory for a nominal charge. Custom colored products are not returnable. Contact Triad Sales for custom painting details.

PAINTING IN THE FIELD

If the Triad OD25 & OD26 speakers must be painted in the field, special procedures MUST be followed. For details call the Triad Sales Department at 1-800-666-6316.

WARRANTY

Triad Speakers warranty information

Limited Hardware Warranty—Triad Speakers warrants its hardware product to be free from defects in material and workmanship during the warranty period. If the hardware proves to be defective in material or workmanship during the warranty period, Triad Speakers will, at its sole option, repair or replace the product with a like product. The warranty extends only to products purchased directly from Control4 Corporation or an Authorized Control4 Dealer. For complete limited warranty information, including details on purchaser legal rights as well as limited warranty exclusions, visit www.triadspeakers.com/legal/warranty.

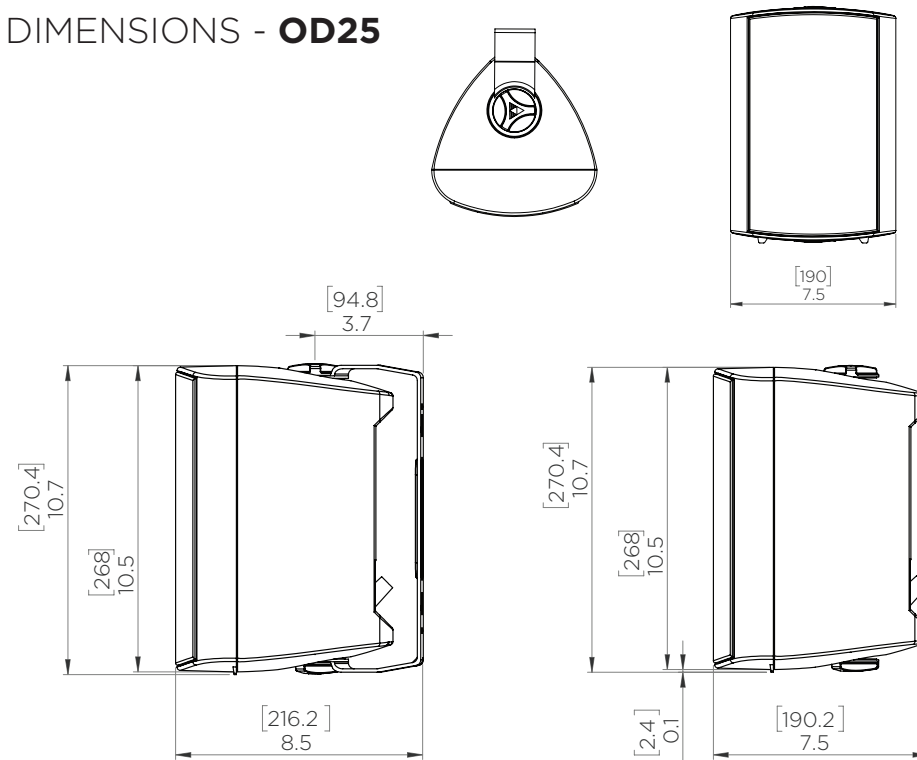
Return Merchandise Authorization (RMA) information

For Sales RMAs contact your Inside Sales Associate. Your ISA information can be found in the My Account section of the Dealer Portal under Control4 Contacts.

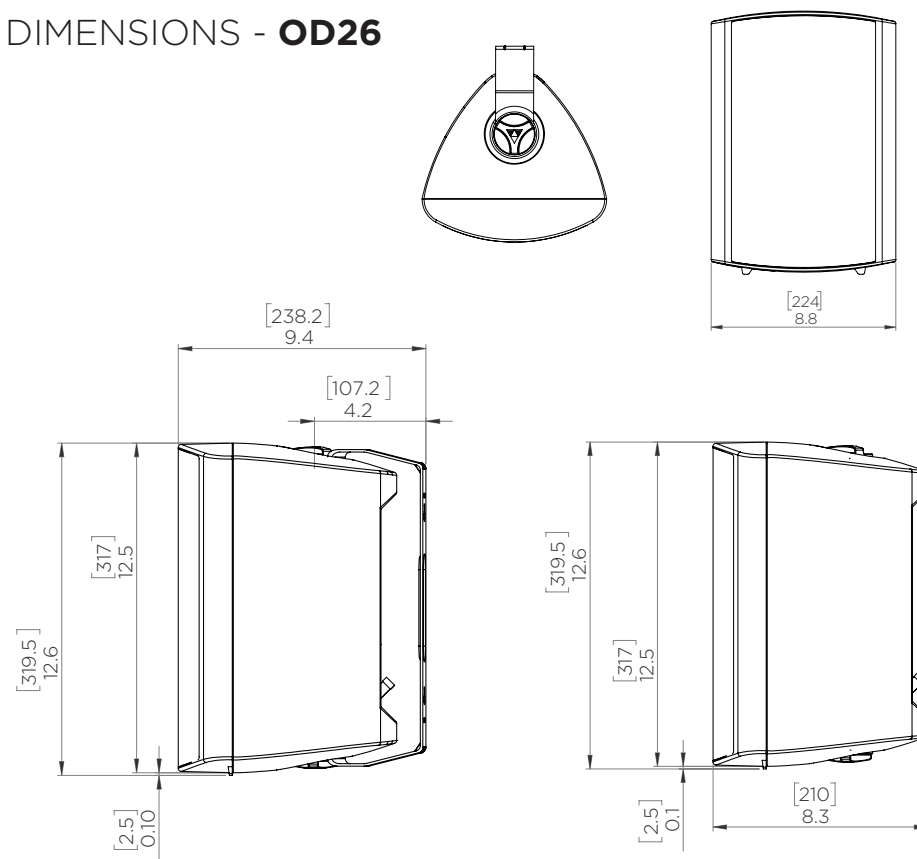
Technical Support information

Phone: 503-517-2668
Hours: 9:00 a.m. - 5:30 p.m. PST (Monday - Friday)
Email: service@triadspeakers.com

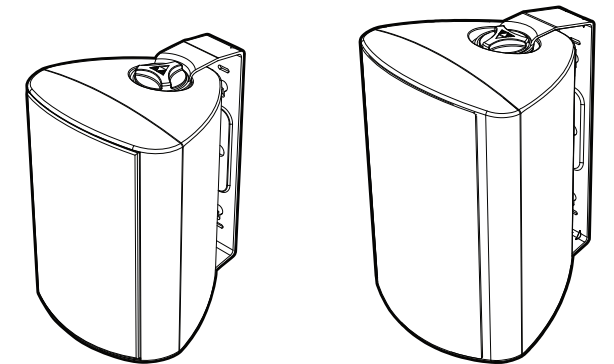
DIMENSIONS - OD25



DIMENSIONS - OD26



SPECIFICATIONS

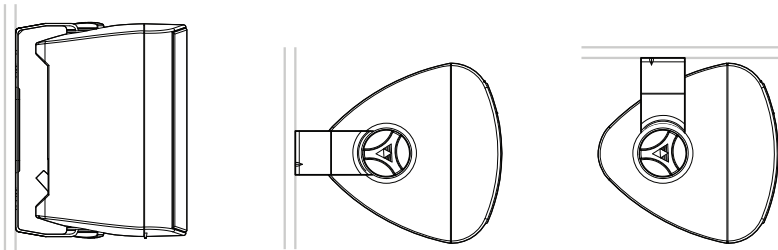


	OD25	OD26
Enclosure size (H x W x D) in.	10 ⁹ / ₁₆ x 7 ¹ / ₂ x 7 ¹ / ₂	12 ⁷ / ₁₆ x 8 ⁷ / ₈ x 8 ¹ / ₄
Enclosure WITH bracket (H x W x D) in.	10 ⁹ / ₁₆ x 7 ¹ / ₂ x 8 ¹ / ₂	12 ⁷ / ₁₆ x 8 ⁷ / ₈ x 9 ³ / ₈
Enclosure size (H x W x D) mm	270 x 190 x 190	319 x 224 x 210
Enclosure WITH bracket (H x W x D) mm	270 x 190 x 216	319 x 224 x 238
Product weight /each	7.5lb / 3.4kg	9lb / 4.1kg
Shipping weight / pair	17lb / 7.7kg	21.5lb / 9.8kg
Shipping weight Master pack (4 ea.)	37lb / 16.8kg	47lb / 21.4kg
Tweeter - size (in./mm)	1" / 25mm	1" / 25mm
Tweeter material	Titanium	Titanium
Woofer - number & size (in./cm)	(1) 5.25" / 14cm	(1) 6.5" / 17cm
Woofer material	Carbon fiber	Carbon fiber
Recommended amplifier power (W)	25-150	25-150
Nominal Impedance (ohms)	6	6
Minimum Impedance (ohms)	4.8	4.8
Sensitivity (dB @ 2.83v, 1 m)	84	86
Frequency Response 2 π +/- 3dB (Hz)	75 - 20k	65 - 20k

TRIAD QUICK START GUIDE - OUTDOOR OD25 & OD26

SPEAKER PLACEMENT

Traid Outdoor OD25 & OD26 speakers can be installed in numerous locations. The bracket can be affixed vertically or horizontally.

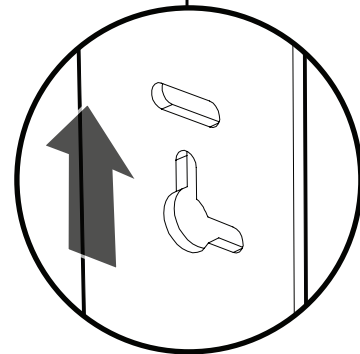
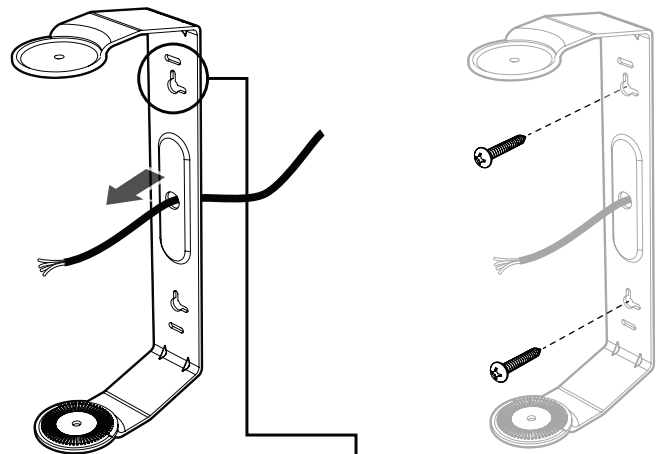


On a wall, vertically On a wall, horizontally Under an eave

INSTALLATION

To install the speakers, first install the bracket to desired location.

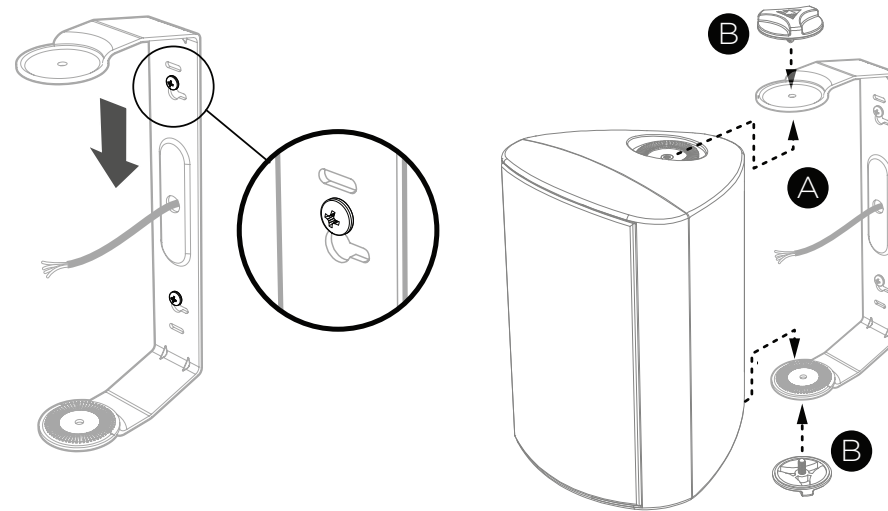
- 1 Pass wire through hole in bracket.
- 2 Screw bracket to wall, keeping screws (not included) LOOSE.



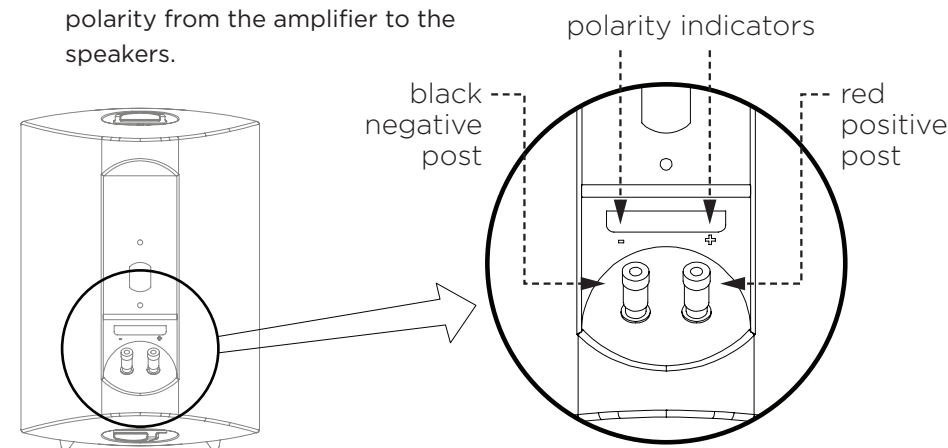
MAKE SURE CUTOUTS IN BRACKET ARE ORIENTED CORRECTLY

INSTALLATION, cont.

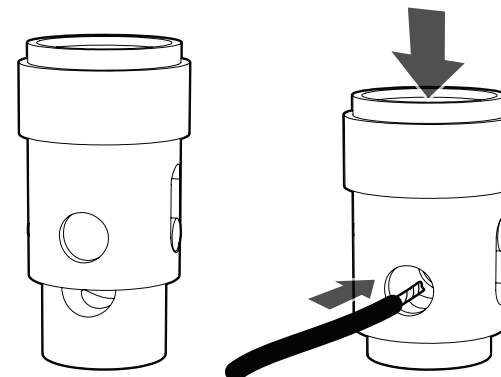
- 3 Slide bracket so screw heads are securely in a slot. Tighten screws.
- 4 Assemble speaker into bracket. Screw knobs LOOSELY through bracket into enclosure.



- 5 Attach wires to binding posts in back of speaker. Be sure to keep proper polarity from the amplifier to the speakers.

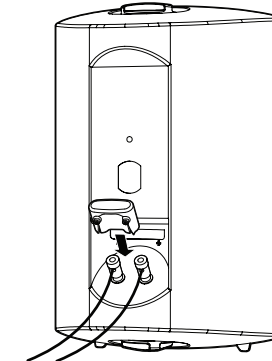


Push binding posts down to align wire holes & insert wire. Release binding post top when wire has been inserted.

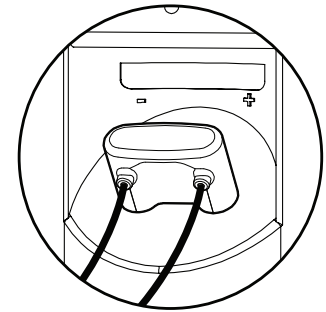
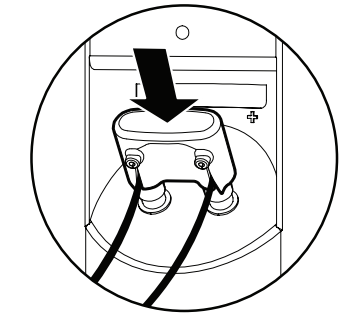


INSTALLATION, cont.

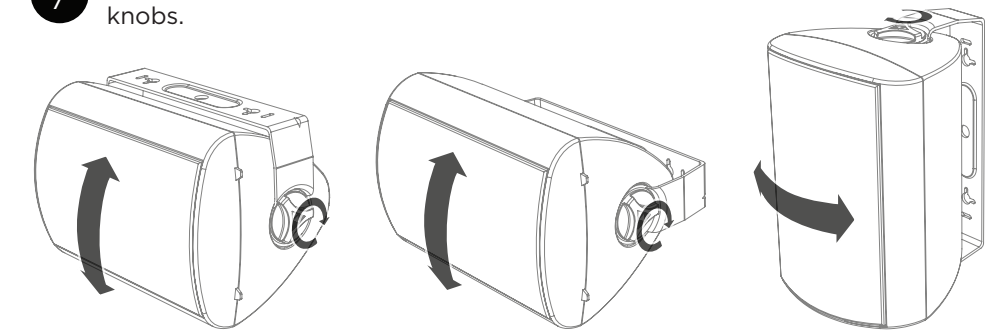
- 6 Slide silicone binding post cover over binding posts to protect against moisture.
- 7 Aim speakers to optimal position, then tighten both knobs.



Small slits in front of binding post cover slip over wires until wires are seated in the holes.

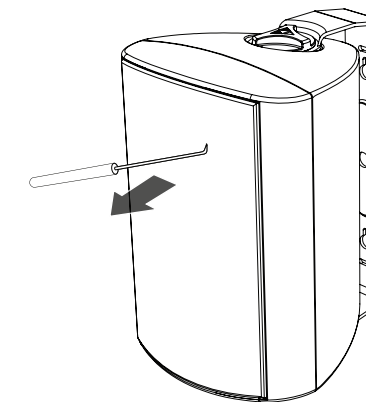


- 7 Aim speakers to optimal position, then tighten both knobs.

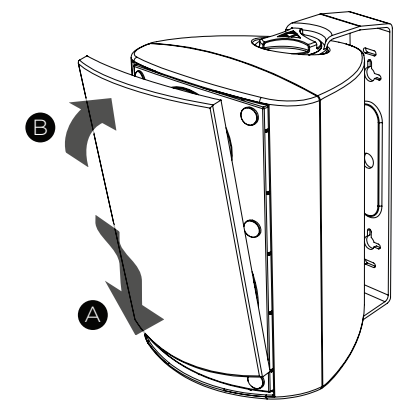


GRILL REMOVAL & REPLACEMENT

If grill removal is necessary for any reason, see instructions below:



REMOVE: Use a Triad Grill Pick or other suitable tool to grab grill & pull outward.



REPLACE: First slip bottom end into enclosure, then slide downward and push top into place.