



110 SERIES COMPACT NETWORK SWITCHES
Quick Start Guide

AN-110-SW-C-5P
AN-110-SW-C-8P
AN-110-SW-C-16P





FCC Warning

Changes or modifications not expressly approved by the party responsible for compliance could void the user's authority to operate the equipment. This device complies with Part 15 of the FCC Rules. Operation is subject to the following two conditions:

- ① This device may not cause harmful interference, and
- ② This device must accept any interference received, including interference that may cause undesired operation.

NOTE: This equipment has been tested and found to comply with the limits for a Class A digital device, pursuant to part 15 of the FCC Rules. These limits are designed to provide reasonable protection against harmful interference when the equipment is operated in a commercial environment. This equipment generates, uses, and can radiate radio frequency energy and, if not installed and used in accordance with the instruction manual, may cause harmful interference to radio communications. Operations of this equipment in a residential area is likely to cause harmful interference in which case the user will be required to correct the interference at his own expense.



CE Warning

This is a Class A product. In a domestic environment, this product may cause radio interference, in which case the user may be required to take adequate measures.

UL Statement

All models have been evaluated by UL.

This device is intended for indoor use only. It should not be connected to an Ethernet network with outside plant routing.

This product is intended to be supplied by a Listed Power Adapter marked “L.P.S.” and output rated 48VDC, 1A minimum.



Welcome to Araknis Networks™

Thank you for choosing an Araknis 110-series Compact Network Switch. This PoE-powered switch features Gigabit connectivity on all ports, updated modern aesthetics, and a level of control (Unmanaged+) rarely seen in unmanaged solutions. The Araknis 110-series switch is a sleek and highly capable addition to any network.

Features

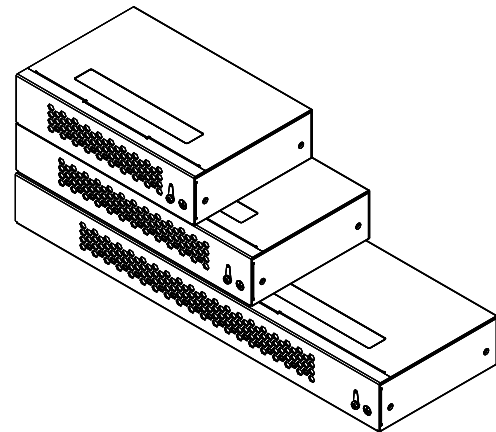
- Gigabit Ethernet
- 1x 802.3at PoE-IN, 1x 802.3af PoE-OUT
- Multi-mounting can design
- Unmanaged+ switch
- OvrC enabled

Dimensions (W x H x D)

- 5 Port: 6.21" x 1.50" x 4.13"
- 8 Port: 8.21" x 1.50" x 4.13"
- 16 Port: 12.71" x 1.50" x 4.13"

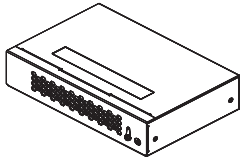
Operating Temperature

- 32-122°F (0-50°C)





Step 1: Unbox



Switch



Rubber Feet (4)



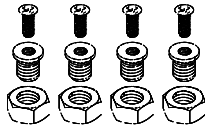
Structured Wiring
Can Mounting Kit
w/ Push Pins (2)



Spare Can Mounting
Push Pins (4)
Body: 8.5mm(D), 10.4mm(L),
6.35mm(W)
Pin: 8.5mm(D), 18.2mm(L),
3.7mm(W)



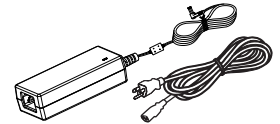
Quick Start Guide



VersaBox Shelf
Mounting Kit



Wall Mount Kit

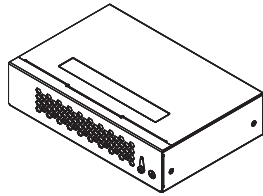


Power Supply
AN-ACC-PS-48V1A
(Sold separately)

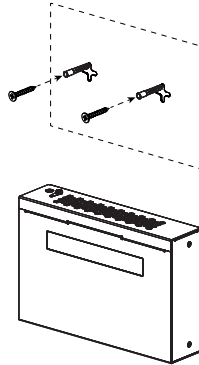


Step 2: Install

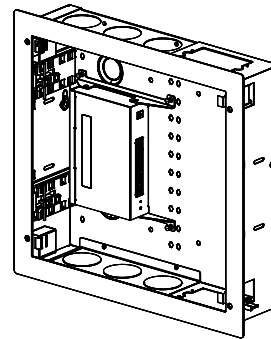
110 compact switches feature several mounting options for easy setup in any scenario. See the following pages for specific instructions.



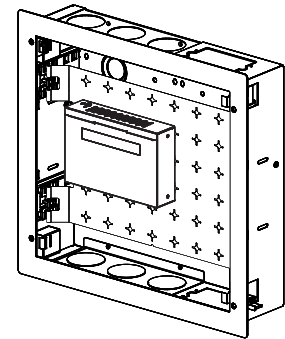
Shelf
(use included rubber feet)



Wall



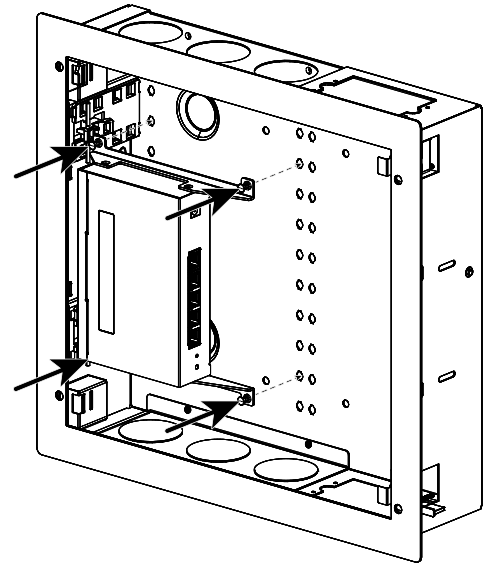
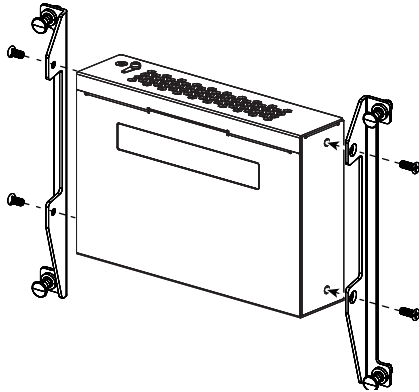
Structured Wiring Can



Strong™ VersaBox™
Shelf



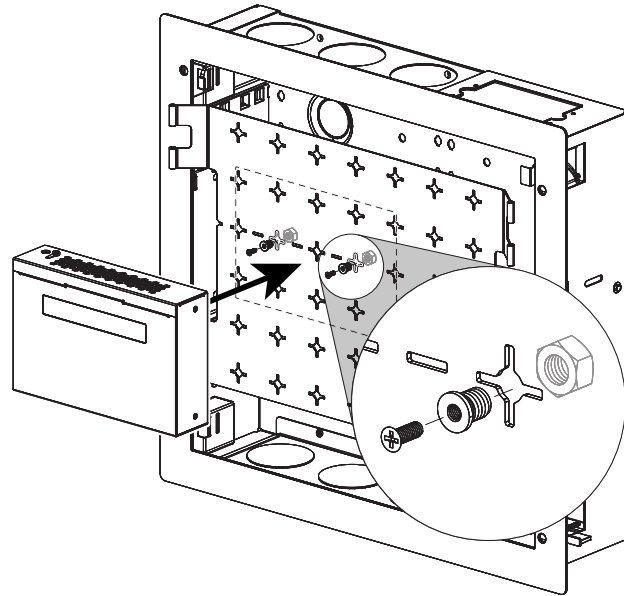
Structured Wiring Can Installation



NOTE: The switch may only be mounted to the structured wiring can with the Ethernet ports facing right or left.



Strong™ VersaBox™ Shelf Installation



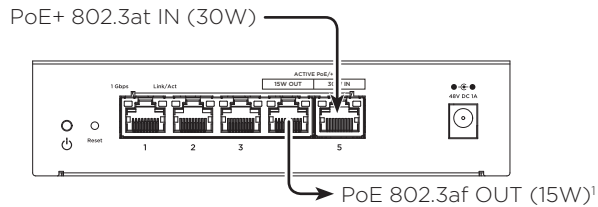
NOTE: 5 and 8-port models may be positioned with the Ethernet ports facing any direction. 16-port models fit only as shown.



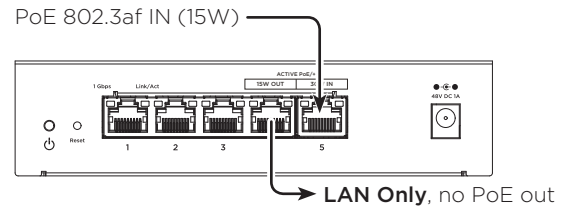
Step 3: Connect

The switch may be powered using either PoE or optional power supply (AN-ACC-PS-48V1A), sold separately. PoE OUT port functionality varies depending on model and power input type.

A PoE+ IN (30W)



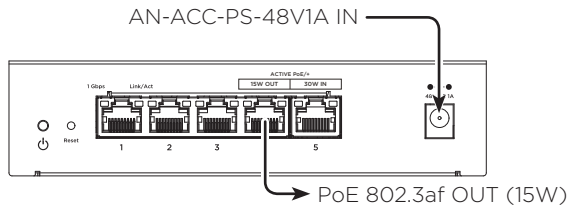
B PoE IN (15W)



NOTE: ¹For 16P, when powered via 802.3at, only supports distance under 50m.



Ⓒ Power Supply IN



NOTE: 100m PoE output distance guaranteed only when powered by DC adapter.

PoE Specifications

AN-110-SW-C-	5P	8P	16P
PoE Out Port	4	7	15
PoE In Port	5	8	16
Power Input	AN-ACC-PS-48V1A		

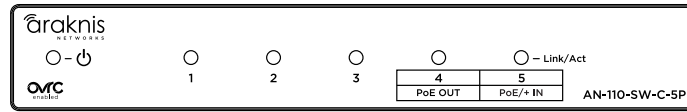
Power Consumption

Power On	3.03W	3.37W	5W
Full load w/o PoE Out	4.7W	6W	11.22W
Full load with PoE Out (max)	23.20W	24.4W	30W

PoE Specification - PoE Out Port Max Output: 15.4W



Step 4: Verify



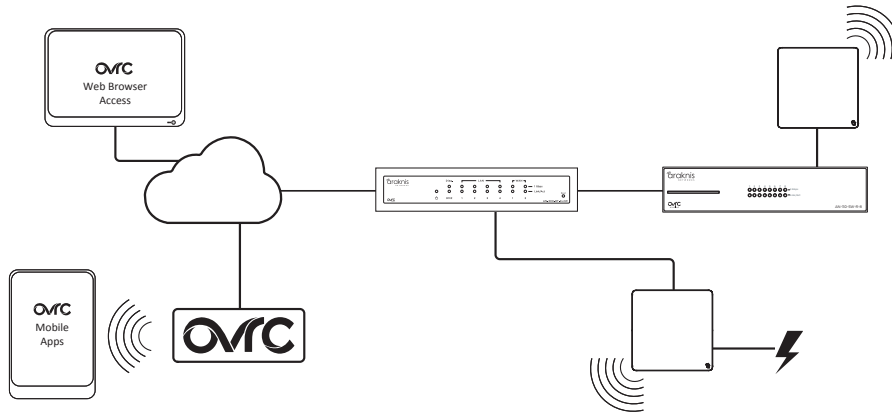
- (A) **Power LED -** On: system is up.
Off: system is down.
- (B) **1Gbps LED -** On: port connected at 1Gbps speed.
Off: port is connected at 10/100Mbps speed.
- (C) **Link/Act LED -** On: port is connected to another device.
Blinking: packets are running through the port.
Off: port is not connected to a device.



Step 5: Claim on OvrC

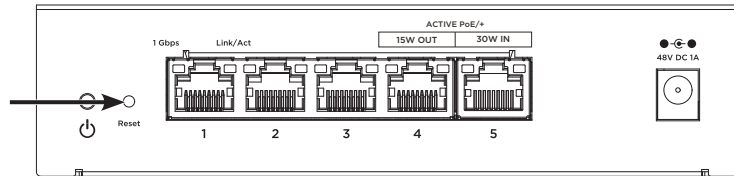
OvrC provides remote firmware upgrades, real-time notifications, and intuitive customer management, right from your computer or mobile device. Setup is plug-and-play, with no port forwarding or DDNS address required. To add this device to your OvrC account:

- (A) Connect the switch to the network (Internet access required).
- (B) Log Into OvrC (www.ovrc.com) or load the OvrC app.
- (C) Add the device (MAC address and Service Tag numbers needed for authentication).





Pro Tip: Rebooting the Switch



Reboot - Press and hold the RESET button on the back of the switch for 5 seconds, then release. The switch will power cycle and the front status lights will flash.

Factory Reset - Press and hold the RESET button for 10-15 seconds until the status LEDs flash once. The switch will power cycle and be reset to factory default settings.

2-Year Limited Warranty

Araknis Networks® products have a 2-Year Limited Warranty. This warranty includes parts and labor repairs on all components found to be defective in material or workmanship under normal conditions of use. This warranty shall not apply to products that have been abused, modified, or disassembled. Products to be repaired under this warranty must be returned to a designated service center with prior notification and an assigned return authorization (RA) number. Contact technical support for an RA number.

Contact Information

Ⓜ araknisnetworks.com

Ⓟ Technical Support (866) 838-5052

ⓧ techsupport@araknisnetworks.com

The latest version of this QSG may be found on the [product page support tab](#).



© 2017 Araknis Networks®

170710-0939