



COOLAUTOMATION
THE INTERNET OF CLIMATE (IoC)

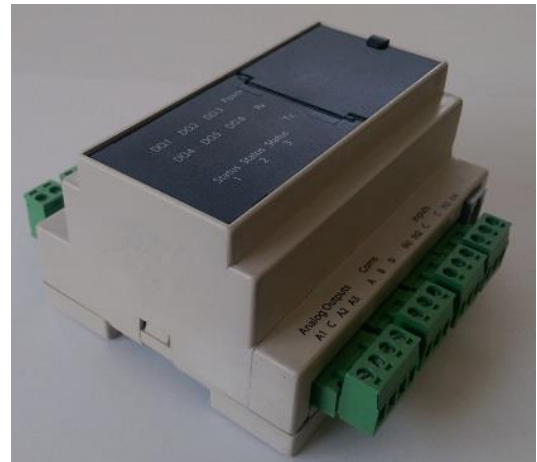
Datasheet: GS539-HP-24V

Smart Heat Pump Controller

Job Name:		Location:	
Purchaser:			
Engineer:			
Submitted To:		For	Reference Approval Construction
Submitted By:		Date:	
Unit Designation:	Schedule #:	Model No.:	

Features:

- Din rail mounting
- Detachable connectors
- I/O and communication LED indication
- Selectable fan type and cool/heat outputs
- Modbus RTU network interface
- Each unit is separately displayed/controlled in Cloud Apps



Power

Power Supply:	24 VAC
Power Consumption:	6A (Including Fan)

Operating Conditions

Surrounding Temperature Limits:	-10° C to +50° C +14 F to +122 F
Humidity (%)	0% to 70%
Dimensions (H x W x D) (inches/mm)	0.75 x 7.8 x 4.72 / 19 x 210 x 120
Weight (lbs/kg)	0.26/0.12
Maximum PBUS wiring length (ft/m)	2600/800

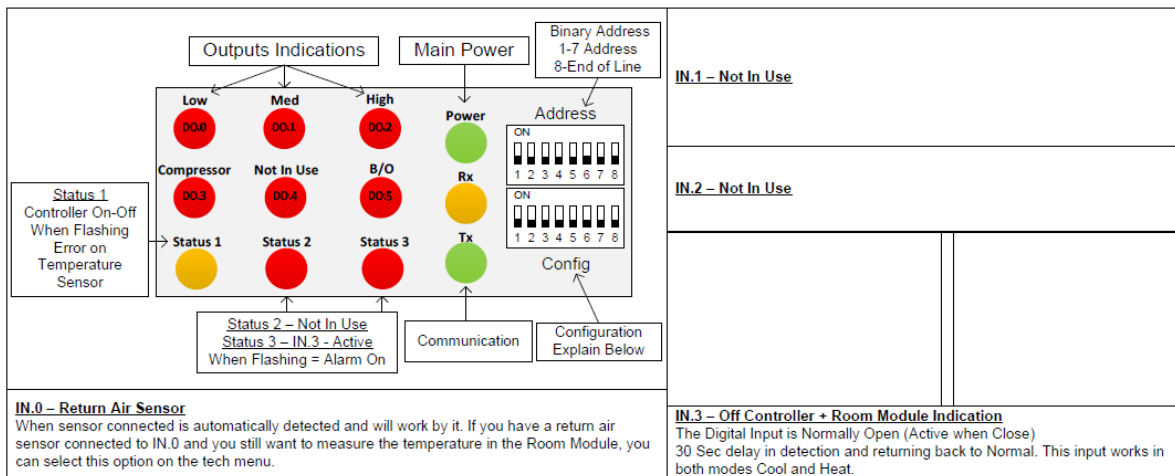
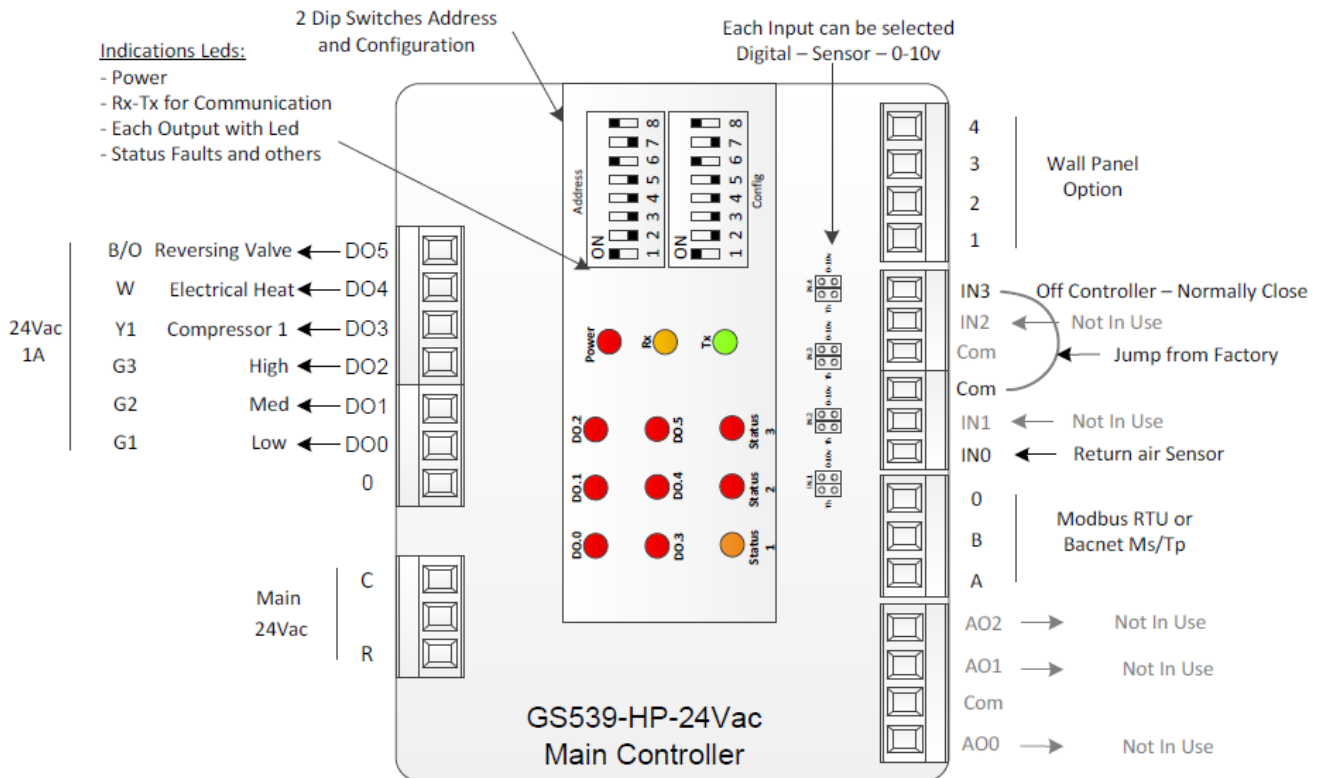
Communication and connectivity

RS485	2 wire, shielded, polarized, twisted pair 20-24 AWG
-------	---

CoolAutomation products are subject to continuous improvements. CoolAutomation reserves the right to modify product design, specifications and information in this datasheet without notice and without incurring any obligations.

Detailed drawing:

Main Controller – GS539-HP-24Vac



Dip Switch Config – 1	Dip Switch Config		Dip Switch Config – 5
Protocol selection Modbus RTU or BACnet Ms/Tp Need reset power after change	Modbus RTU	BACnet Ms/Tp	Not In Use
Dip Switch Config – 2 and 3 Baud Rate Selection in Modbus 9600 19200 38400 76800 2 - Off On Off On 3 - Off Off On On BACnet Baud Rate is Auto Detect	Baud Rate	Baud Rate	Dip Switch Config – 6 Not in Use
	Not In Use	Not In Use	Dip Switch Config – 7 HC (no heat pump) or HP (Heat pump) configuration
	Not In Use	Not In Use	Dip Switch Config – 8 – B or O Selection Reversing Valve selection B-Energize in Heat --- O-Energize in Cool
Dip Switch Config – 4 Not In Use	Heat Pump	Heat Cool	
	RV in Cool	RV in Heat	

HC – Heat Cool
Cool – Y1 Compressor
Heat – W
HP – Heat Pump - B
Cool – Y1 Compressor
Heat – B Reversing Valve
- Y1 Compressor – Stage 1
- W – Electrical Heat – Stage 2
HP – Heat Pump - O
Cool – O Reversing Valve
- Y1 Compressor – Stage 1
Heat – Y1 Compressor – Stage 1
- W – Electrical Heat – Stage 2

CoolAutomation products are subject to continuous improvements. CoolAutomation reserves the right to modify product design, specifications and information in this datasheet without notice and without incurring any obligations.