




Square Wired Configurable Keypad V2 Installation Guide



Introduction

The Control4® Square Wired Configurable Keypad is intended for use in a Control4 system. It installs in a standard square (UK style) or round (EU style) wall box. Communication to the Control4 system is via RS-485 protocol and wiring. For RS-485 wiring topologies, refer to the document *Keypad Bus Wiring Guide*.

Box contents

- Square Wired Configurable Keypad
- Pluggable Terminal Block
- *Square Wired Configurable Keypad V2 Installation Guide* (this document)
- Warranty card
- M3.5 machine screws (2) 
- M4.0 machine screws (2) 
- M3.0 thread-cutting screws (2) 

Specifications

Model number	C4-SKCB2
Power requirements	48VDC
Power consumption	Maximum 48VDC 1.2W Minimum 48VDC 0.7W
Environmental	
Operational temperature	0°C - 40°C (32°F - 104°F)
Humidity	5% to 95% non-condensing
Storage	-20°C - 70°C (-4°F - 158°F)
Miscellaneous	
Control communications	RS-485
Weight	0.045 kg (0.1 lb)
Shipping weight	0.14 kg (0.3 lb)

Warnings and considerations

- ✓ **Important:** Using this product in a manner other than outlined in this document voids your warranty. Further, Control4 is NOT liable for any damage incurred with the misuse of this product. See "Troubleshooting."
- ✓ **Important:** Do NOT use a power screwdriver to install this device. If you do, you may overtighten the screws and strip them. Also, overtightening the screws may interfere with proper button operation.
- ✓ **Important:** This is an electronic device with intricate components. Handle and install with care!
- ✓ **Important:** This device must be attached to the wall box with screws. Wall boxes without screw holes for mounting (for example, those that require expansion clamps) are not compatible with this device.
- ✓ **Important:** When installing the keypad in an EU-style (round) wall box, a Trim Ring (sold separately) must be installed between the keypad and the wall box. Trim Rings are available in both single-gang and dual-gang versions.
- ⚠ **Caution!** Do not exceed the number of keypads per power supply as indicated in the *Keypad Bus Wiring Guide*. Exceeding the maximum number of keypads will result in overheating the wires, failed devices, and/or communication errors.

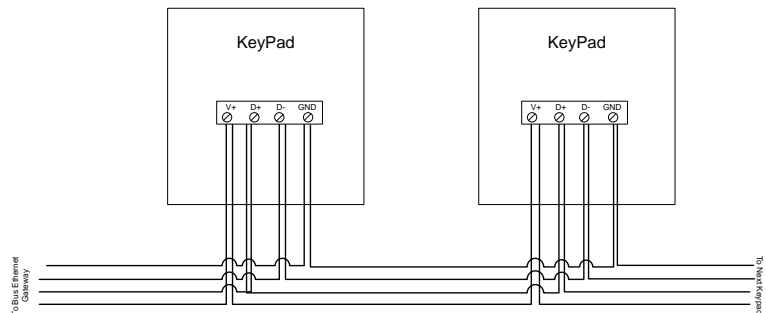
Attention ! Ne pas dépasser le nombre de claviers par bloc d'alimentation comme indiqué dans le *Guide de câblage du clavier*. Un dépassement du nombre maximal de claviers entraînera la surchauffe des câbles, périphériques défectueux, et/ou des erreurs de communication.

Installation instructions

- ⚠ **Caution!** When wiring the keypad, make sure that either:
 - The Bus Power Supply is *not* powered on.
 - OR -
 - The pluggable connector is disconnected from the Bus Power Supply.
- Attention !** Lors du branchement du clavier, assurez-vous que
 - Le Bus d'alimentation n'est pas sous tension ou
 - La prise est déconnecté de l'alimentation.

- 1 Determine whether the keypad will be installed in a UK-style (square) or EU-style (round) wall box. If the keypad is to be installed in an EU-style (round) wall box, ensure that the appropriate trim ring (sold separately) is available before proceeding.
- 2 Prepare the cable for termination by stripping the outer sheath and individual wires, and then wire into the pluggable terminal block.
- 3 Remove the pluggable terminal block from the back of the keypad, then connect wires to the terminal block as shown in Figure 1 below.

Figure 1: Keypad wiring



- 4 If installing in a round wall box, pull the wires and the pluggable terminal block through the center hole in the trim ring. Refer to Figure 3 for the proper front/back orientation of the trim ring.
- 5 Connect the pluggable terminal block to the keypad.
- 6 Fit the wires back into the wall box.

7 Follow the appropriate instructions for attaching the keypad:

To install in a UK-style square wall box:

- a Align the keypad to the wall box as shown in Figure 1 (note the **UP** orientation arrow on the keypad), then fasten the keypad to the wall box using the included M3.5 machine screws.

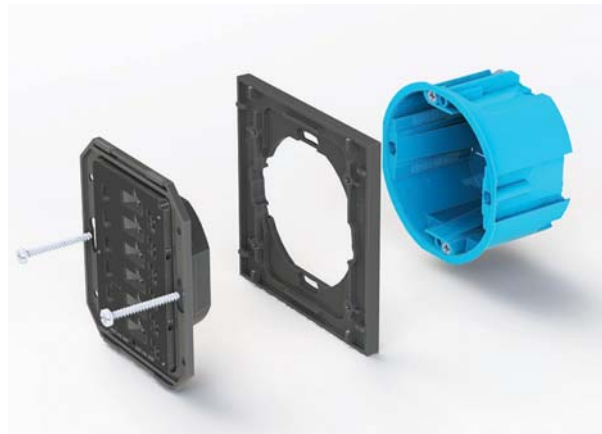
Figure 2: Square wall box installation



To install in an EU-style round wall box with mounting screws on the left and right:

- a Align the keypad and the trim ring to the wall box as shown in Figure 3 (note the **UP** orientation arrow on the trim ring and keypad).
- b Fasten the keypad and trim ring to the wall box using either the included M3.0 thread cutting screws or the screws that came pre-installed in the wall box. Note that some pre-installed screws may not have large enough screw heads to securely hold the keypad.

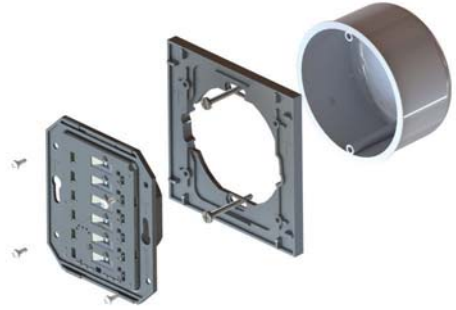
Figure 3: Round wall box installation—horizontal screw holes



To install in an EU-style round wall box with mounting screws on the top and bottom:

- a Align the trim ring to the wall box as shown in Figure 4 (observe the **UP** orientation arrow on the trim ring).
- b Fasten the trim ring to the wall box using either the included M3.0 thread cutting screws or the screws that came pre-installed in the wall box. Note that some pre-installed screws may not have large enough screw heads to securely hold the trim ring.
- c Attach the keypad to the trim ring with four M2.2 x 6 mm thread-forming screws included with the trim ring as shown in Figure 4.

Figure 4: Round wall box installation—vertical screw holes



Note: For instructions on installing in a dual EU-style wall box with a dual trim ring, refer to the *Dual Trim Ring Installation Guide*.

IMPORTANT! Tighten the screws until the device or trim ring is flush with the wall surface, but no further. Overtightening can warp the keypad and cause it to malfunction.

- 8 Install the buttons (sold separately) following the instructions in the *Keypad Buttons Installation Guide* (ctrl4.co/butn).
- 9 Install the Control4 faceplate (sold separately) by placing the top of the faceplate on the device (note the ↑ [“up”] orientation arrow on the inside of the faceplate) and firmly pressing the bottom until the faceplate snaps into place against the wall.

Note: To remove the faceplate, use a flathead screwdriver. Insert the screwdriver into the small gap on the bottom between the faceplate and the device. Twist the screwdriver blade to pop the faceplate off.

- 10 Ensure that the Bus Power Supply is installed correctly and powered on. For instructions, see the *Bus Power Supply, 48V Installation Guide* (ctrl4.co/bps48).

Wiring diagrams

For bus wiring details, refer to the *Keypad Bus Wiring Guide*.

Operation and configuration

On initial power up, all status LEDs on the keypad will illuminate blue, indicating that the device has power. Until the keypad has been configured into a Control4 system, it will not control any loads. To set up this keypad for use with a Control4 system, refer to the *Composer Pro User Guide* (ctrl4.co/cpro-ug).

Button tap sequences

The button tap sequences are defined in the table below. Button tap sequences that require a single button should use the top-most button installed on the keypad. Button tap sequences requiring two buttons should use the top-most and bottom-most (or bottom-left) buttons installed on the keypad.

Function	Button sequence
Identify	4
Reboot	15
Factory reset	9-4-9
Unidentify	13-4-13

Troubleshooting

If the LEDs do not light up indicating that the keypad is receiving power::

- Ensure that the Bus Power Supply is powered on.
- Ensure that the Bus Ethernet Gateway is powered on and connected.
- Check for proper wiring (see "Installation Instructions" above).
- For help on the installation or operation of this product, email or call the Control4 Technical Support Center. Provide your exact model number. Contact support@control4.com or see the website www.control4.com.

Care and cleaning

- Clean surface of the keypad with a soft damp cloth as needed.
- Do NOT paint the keypad or its wall plate.
- Do NOT use any chemical cleaners to clean the keypad.

Additional resources

The following resources are available for additional support:

- Control4 Knowledgebase and forums
- Control4 Technical Support
- Control4 website: www.control4.com
- Composer documentation available at ctrl4.co/docs.

For the latest version of this document, open this URL or scan the QR code on a device that can view PDFs.

Regulatory and safety information

To review regulatory information for your particular Control4 products, see the information located on the Control4 website at: ctrl4.co/reg.

Warranty

Visit www.control4.com/warranty for details.

More help

For the latest version of this document, open this URL or scan the QR code on a device that can view PDFs.





control4.com | 888.400.4070

Copyright ©2016, Control4 Corporation. All rights reserved. Control4, the Control4 logo, the 4-ball logo, 4Store, 4Sight, Control4 My Home, and Everyday Easy are registered trademarks or trademarks of Control4 Corporation in the United States and/or other countries. All other names and brands may be claimed as the property of their respective owners. All specifications subject to change without notice.