



INSTALLATION MANUAL
EPISODE ACCESSORIES



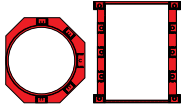

REAL. LIFE. SOUND.



PRE-INSTALL

Pre-Construction Brackets

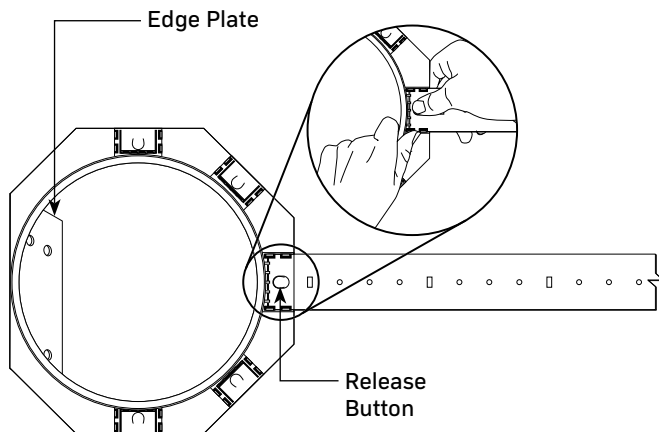
Pre-Construction brackets are color coded and available in four sizes:

	Color	Model
	Yellow	IC-4
	Green	IC-6* IW-6
	Red	IC-8 IW-8
	Blue	IWLCR-6

** For POINT-6 models, refer to IC-8 cutout dimensions.*

1. Connect the wing to the bracket.

NOTE: Press and hold the release button, then slide the wing away from the bracket to disconnect.

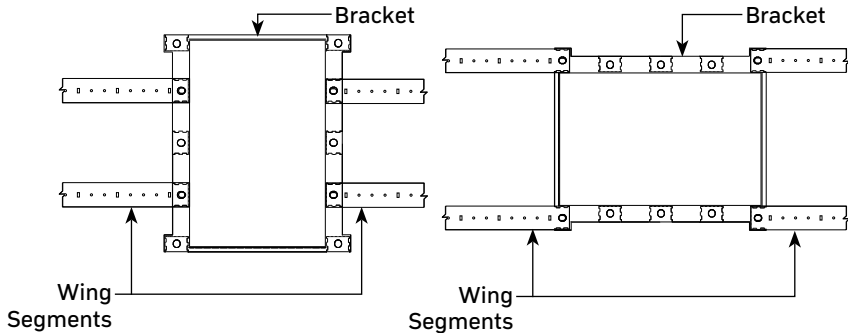


The in-ceiling speakers include an edge plate to secure if mounting the speaker against a joist.

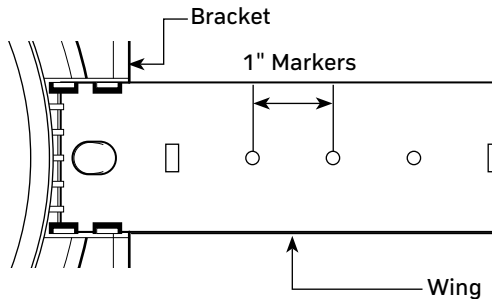


The in-wall speakers require four points of connection to provide proper support. Two bracket wings are included and must be cut into four segments using tin snips.

2. Connect the four wing segments to the bracket and secure to studs.



3. Use the 1" markers as a placement guide for aligning the brackets. Drive a screw through the metal wings to secure into the desired position.



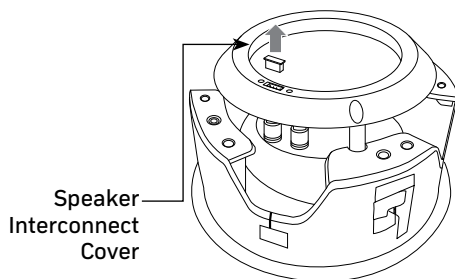
4. Secure wiring within reach of the bracket for easy access.



INSTALL

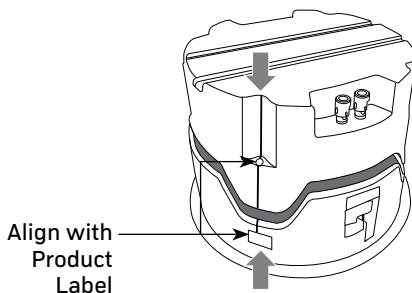
Rear Enclosures (For Signature Speakers Only)

1. Remove the speaker interconnect cover.



2. Attach the speaker to the appropriate enclosure before mounting.

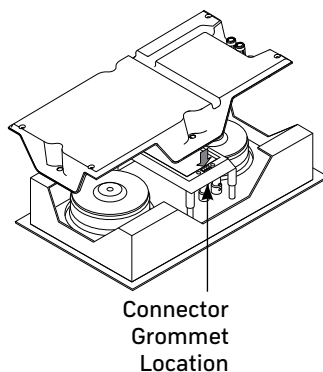
3. Use the embossed guide to align the enclosure with the product label.



4. Secure enclosure to speaker using the screws provided.

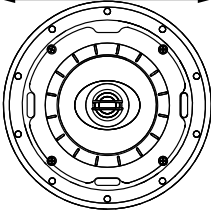
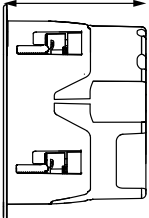
Note: Remove connector grommet before installing back enclosure.

5. Connect wires to the terminals on top of the enclosure.

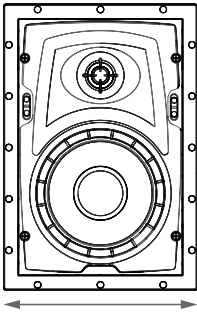
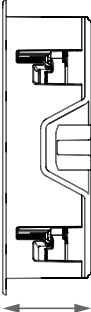




Refer to the following charts to verify the correct dimensions prior to cutting drywall.

Model	Cutout Dimension	Mounting Depth with Enclosure
		
IC-4	6.2"	5.9"
IC-6*	8.3"	6.2"
IC-8	9.7"	6.6"

* For POINT-6 models, refer to IC-8 cutout dimensions.

Model	Cutout Dimension	Mounting Depth with Enclosure
		
IW-6	11.7" x 7.6"	3.8"
IW-8	13.7" x 9.0"	3.8"
LCR	14.4" x 7.6"	3.8"



-INSTALL

Grille Options

See the chart below for available grille options.

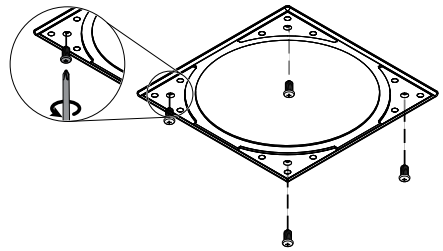
Speaker	In-Ceiling		In-Wall	
	Thin Bezel	Bezel-less	Thin Bezel	Bezel-less
Round	✓	✓		
Rectangular			✓	✓
Square	✓	✓		

Install

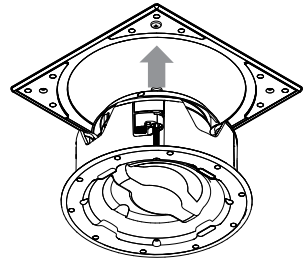
For round in-ceiling and rectangular in-wall grilles, simply attach onto the speaker.

Follow the steps below to attach square grilles.

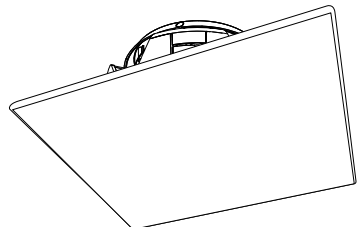
1. Use four #8 Phillips screws (not included) to mount the adapter plate to the desired area in the ceiling.



2. Fit the speaker over the adapter plate.



3. Attach the grille to the adapter plate.



WARRANTY

Limited Warranty

Find details of the product's Limited Warranty at snapav.com/warranty or request a paper copy from Customer Service at 866.424.4489. Find other legal resources, such as regulatory notices and patent information, at snapav.com/legal.

CONTACTING TECHNICAL SUPPORT

866.838.5052

techsupport@snapav.com

