

STRADA 2

OWNER'S GUIDE



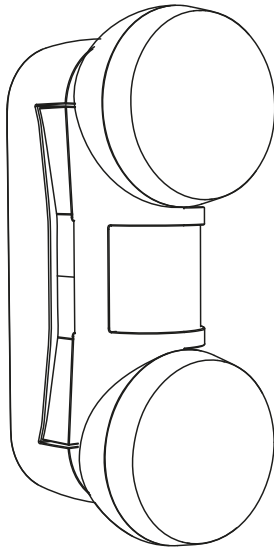
CONTENTS

- 5 INTRODUCTION
- 6 ABOUT YOUR STRADA 2
- 7 OPTIONAL ACCESSORIES AND MOUNTS
- 8 INITIAL SET UP
- 9 DETAILED SET UP
- 11 PLACEMENT OF SPEAKERS
- 12 SPECIFICATIONS AND WARNING
- 13 TECHNICAL SUPPORT AND WARRANTY

INTRODUCTION

Thank you for choosing Gallo Acoustics loudspeakers.

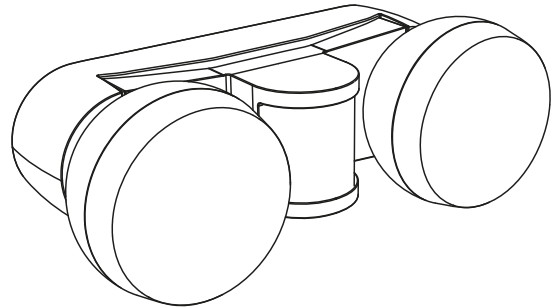
Please take the time to read and understand this guide thoroughly before installing your loudspeakers. This will ensure that you achieve optimal performance without the risk of causing damage to your speakers or amplifier.



STRADA 2 SIDE

RUN-IN PERIOD

Your Gallo loudspeaker utilises proprietary technologies that only reach their optimum performance levels after a period of 60 - 80 hours of use. During this run-in process the loudspeaker driver will loosen-up, the patented S2 fill material will settle, and your loudspeakers will develop the acoustic characteristics that are our signature.



STRADA 2 CENTRE

ABOUT YOUR STRADA 2

The Strada 2 loudspeaker was developed to provide state-of-the-art performance in a package that can be easily integrated into your room and system.

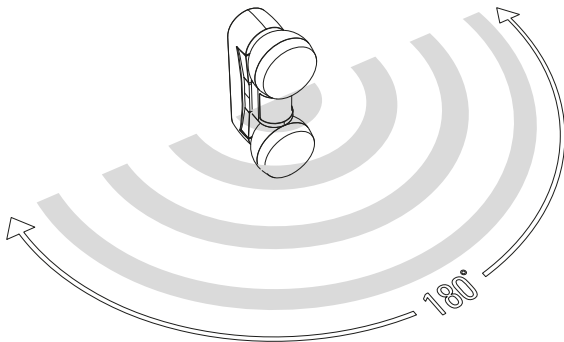
Strada 2 performs as though its enclosures are significantly larger than they actually are, allowing a deep and powerful low frequency response. Whether they are wall mounted or used with table or floor stands, amazing performance can be achieved regardless of the size of your listening area.

Strada 2 also uses Gallo's proprietary Optimised Pulse Technology (OPT). This system is designed to integrate the low, middle and high frequencies into one unified sound source.

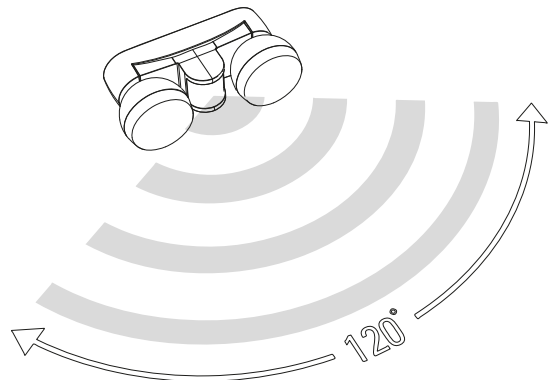
The unique design of the CDT3 tweeter allows ultra-wide dispersion through its cylindrical design - coupled with there being two separate chassis designs, there is great flexibility when positioning your Strada 2s, as the same high frequency response is delivered both on and off axis.

The Strada 2 Side speaker is designed for stereo use or for satellite speaker positions in a multi-channel system. In this vertical configuration, the CDT3 can output a full 180° dispersion pattern.

The Strada 2 Centre speaker is designed to be used as a centre speaker in a multi-channel system, and has the mid-range drivers and the tweeter positioned side by side - a 120° dispersion pattern can be achieved by this configuration.



STRADA 2 SIDE DISPERSION



STRADA 2 CENTRE DISPERSION

OPTIONAL ACCESSORIES

Available from your dealer, or directly from www.galloacoustics.com

WALL MOUNT

The Wall Mount allows for toe-in and angled mounting of the Strada 2. Specific versions of the mount are available for side and centre variants.

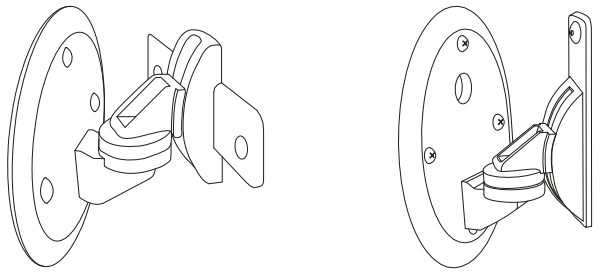
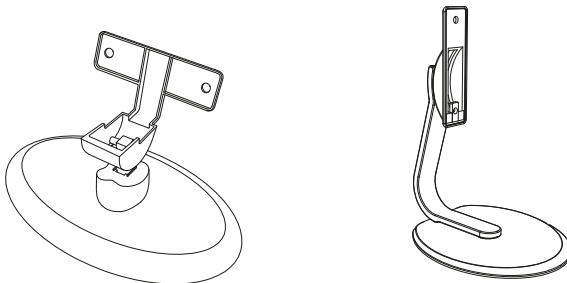


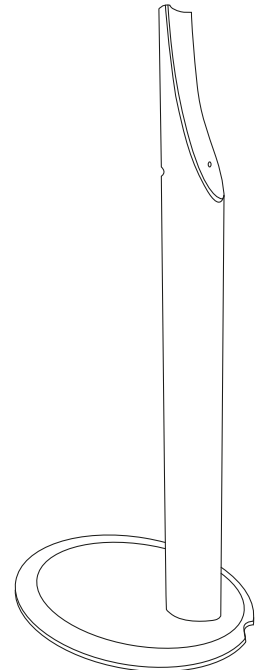
TABLE MOUNT

The Table Mount allows for toe-in and angled mounting of the Strada 2. Specific versions of the mount are available for side and centre variants.



FLOOR STAND

The Strada 2 Floor Stand is ideal for situations where a suitable mounting position cannot be achieved by wall or surface mounting. The floor stand is available in a matching black finish, and is suitable for the Strada 2 Side speaker only. Speaker cable can be hidden within the stem itself, so the clean elegant look is not compromised.

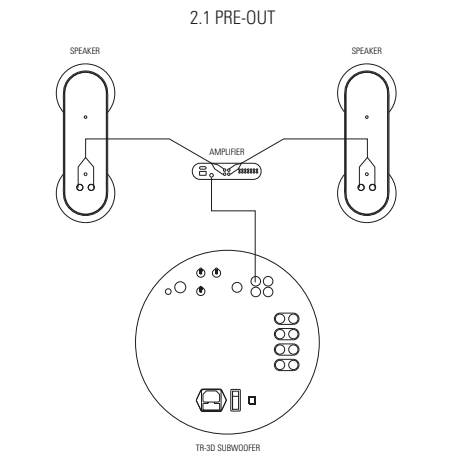
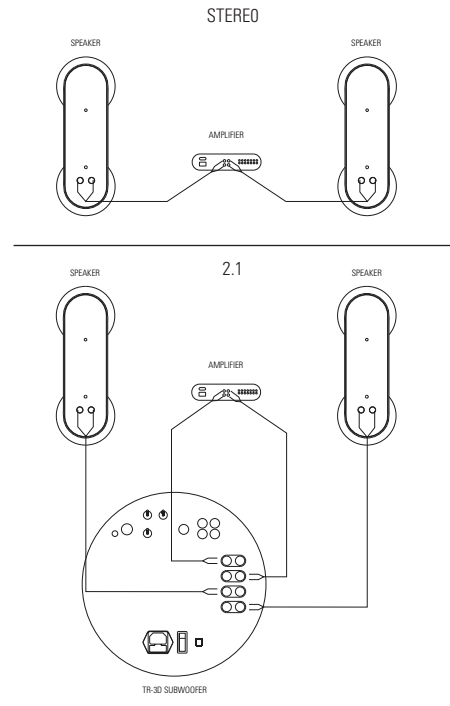


INITIAL SET UP

Please ensure that your amplifier is turned off before connecting the loudspeakers. When connecting speaker cables to your loudspeakers and amplifier, ensure that correct polarity is observed - red (+) terminal on the speaker to the red (+) terminal on your amplifier, black (-) terminal on the speaker to the black (-) terminal on your amplifier.

Strada 2 loudspeakers can be used as a stereo pair, however for the best performance it's advisable to also use a subwoofer to allow the full frequency image to be heard. Either way, placing the Strada 2s near a wall will help to maximise bass performance.

Gallo Acoustics subwoofers are specifically designed to compliment the sound of your loudspeakers and have built-in crossovers, allowing full frequency control.



STEREO

Strada 2 can be connected directly to your amplifier and used as stereo speakers.

- Using speaker cables, connect the speaker output on your amplifier to the terminals on the rear of your Strada 2 loudspeakers.

Consult your amplifier owner's guide for more detailed set up instructions.

2.1

To further enhance the sound, a subwoofer can be added to the system to play the lowest bass frequencies.

- Using speaker cables, connect the speaker outputs on your amplifier to the high level inputs on the subwoofer.
- Run a second set of speaker cables from the high level outputs on the subwoofer to your loudspeakers.
- On the subwoofer, adjust the crossover between 80Hz and 120Hz.
- When music is playing, you can adjust the level control to match the subwoofer and loudspeaker volume.

Alternatively, if your amplifier has a pre-out, you can wire the speakers directly to your amplifier and connect the subwoofer to your amplifier using a coaxial cable.

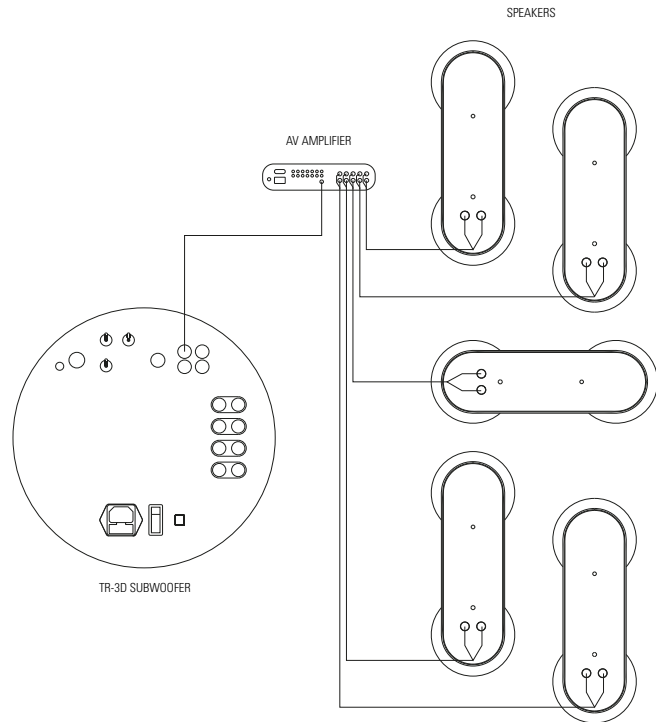
Consult your subwoofer owner's guide for more detailed set up instructions.

MULTI-CHANNEL AND HOME CINEMA

When using a multi-channel surround sound system, first ensure that you are familiar with your amplifier's functions, to ensure that the correct mode and settings are applied.

- Using speaker cables, connect the speaker outputs from your AV amplifier to the Strada 2 loudspeakers, ensuring that each channel goes to the relevant speaker.
- On the AV amplifier, you can select either small or normal speaker setting. If you can manually adjust the frequency, select between 40Hz and 80Hz if the speaker is wall mounted or between 80Hz to 120Hz if the speakers are on table mounts or floor stands.

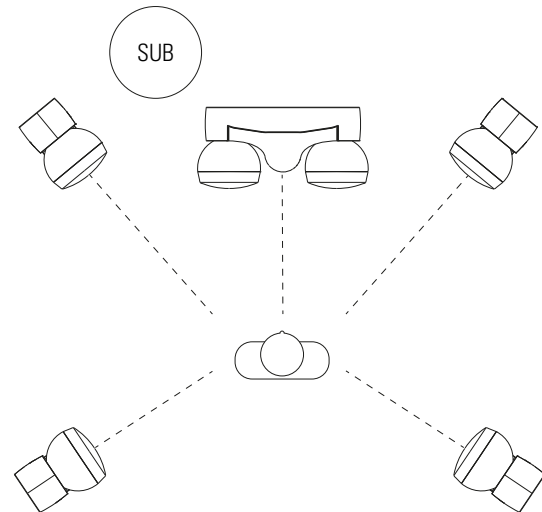
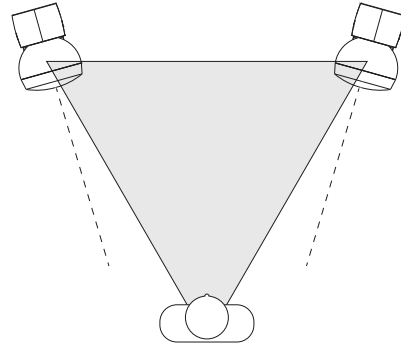
Consult both your subwoofer and AV amplifier owner's guides for more detailed set up instructions.



PLACEMENT OF SPEAKERS

The placement of loudspeakers within a room can have a great effect on the sound of the system - small changes can make significant improvements.

- If possible, place the speakers near a rear wall to maximise bass performance.
- The distance from the listening position to the loudspeakers should not be less than the distance between the speakers.
- In a multi-channel system, place the front channels about 1m to 2m apart depending on the room size and listening position.
- For the best possible performance, mount the speakers at ear height - however in most situations this is not possible, instead angle the speakers towards the listening position.
- Since low frequency audio below 80Hz is non-directional, the subwoofer placement is not as critical, however between the front speakers usually delivers the best results.



SPECIFICATIONS

Frequency Response	68Hz to 20kHz
Sensitivity	90 dB
Nominal Impedance	8 Ohms
Power Handling	150 Watts
Crossover	None
Driver	Two 4" dynamic hyperbolic carbon fibre drivers
Tweeter	Patented Cylindrical Diaphragm Transducer (CDT3)
Dimensions	W - 34.3cm (13.5") H - 12.7cm (5") D - 19.1cm (7.5")
Weight	5.2Kg
Cone Material	Carbon Fibre
Enclosure Material	Powder coated cast aluminium chassis with brushed stainless steel spheres
Warranty	5 years

WARNING

Care must be taken when installing, mounting or standing this product to walls, ceilings or surfaces.

Appropriate fasteners must be used (where required) to ensure the safe installation of both the speakers and mounts.

If you are in any way unsure of the correct installation, assembly or use then please consult qualified sources before taking unnecessary risks.

The manufacturer, distributor or their agents cannot be held responsible for any injury as a result of improper use or installation of this product.

TECHNICAL SUPPORT

Should you encounter problems using this product, please contact your dealer or local distributor.

You can call Gallo Acoustics directly for technical support on the following numbers:

UK
01555 666883

Outside UK
+44 1555 666883

United States, Canada and South America
866 427 3873

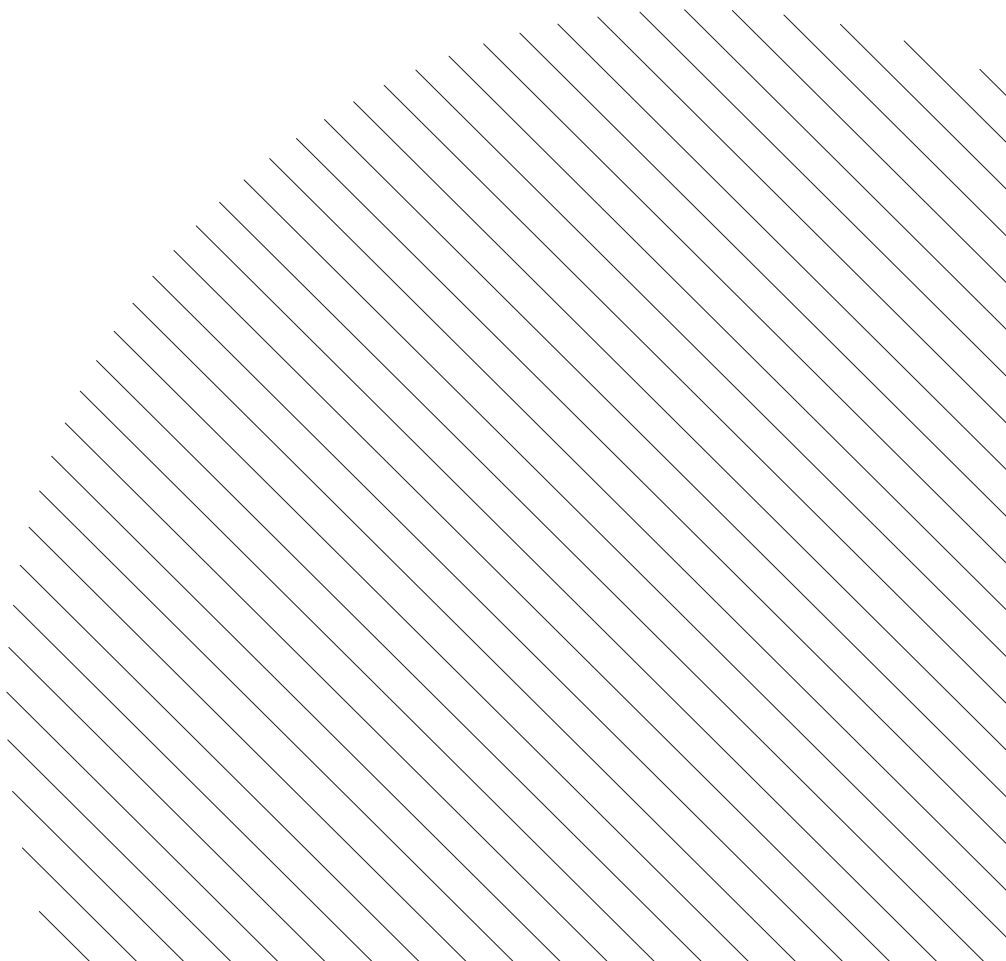
Alternatively, email -
support@galloacoustics.com

WARRANTY

Anthony Gallo Acoustics Ltd warrants to the end user that this product will be free from defects in materials and workmanship in the course of normal use for a period of five years from the date of purchase.

This guarantee covers breakdowns due to manufacturing faults and does not apply in cases such as accidental damage, general wear and tear, user negligence, modification or repair not by Anthony Gallo Acoustics Ltd.

To register your purchase please visit -
www.galloacoustics.com





ANTHONY GALLO ACOUSTICS LTD
THE INOX BUILDING
CALDWELLSIDE
LANARK
SCOTLAND
UNITED KINGDOM
ML11 7SR

WWW.GALLOACOUSTICS.COM
