

MODEL L-65x DIAGRAM

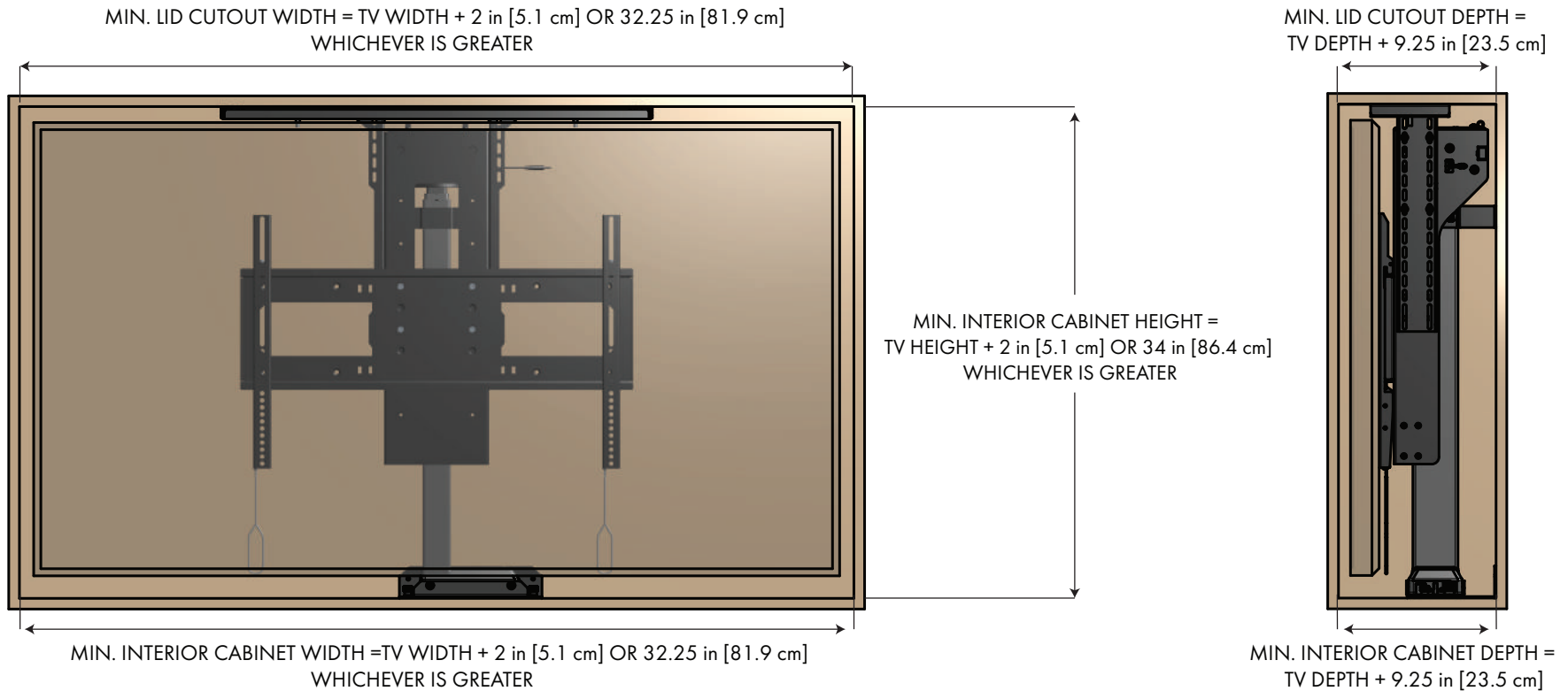
PRIMARY CABINET DIMENSIONS

SPECIFICATIONS

MAX WEIGHT CAPACITY : 100 lbs [45.4 kg]
 MAX TRAVEL [EXTENSION] : 38.5 in [97.7 cm]
 LIFT SYSTEM HEIGHT : 33.75 in [85.7 cm] TO 46.25 in [117.5 cm]
 MAX TV HEIGHT : 37.25 in [94.6 cm] MINUS LID THICKNESS
 MOTORIZED SWIVEL RANGE: +/- 180°

QUICK REFERENCE DIMENSION GUIDE (USE WHICHEVER IS GREATER)

TV DIMENSIONS : W _____, H _____, D _____
 MIN. INTERIOR CABINET WIDTH : $W + 2$ in [5.1 cm] = _____ OR 32.25 in [81.9 cm]
 MIN. LID CUTOUT WIDTH : _____
 MIN. INTERIOR CABINET HEIGHT : $H + 2$ in [5.1 cm] = _____ OR 34 in [86.4 cm]
 MIN. INTERIOR CABINET DEPTH : _____
 MIN. LID CUTOUT DEPTH : $D + 9.25$ in [23.5 cm] = _____



NOTES:

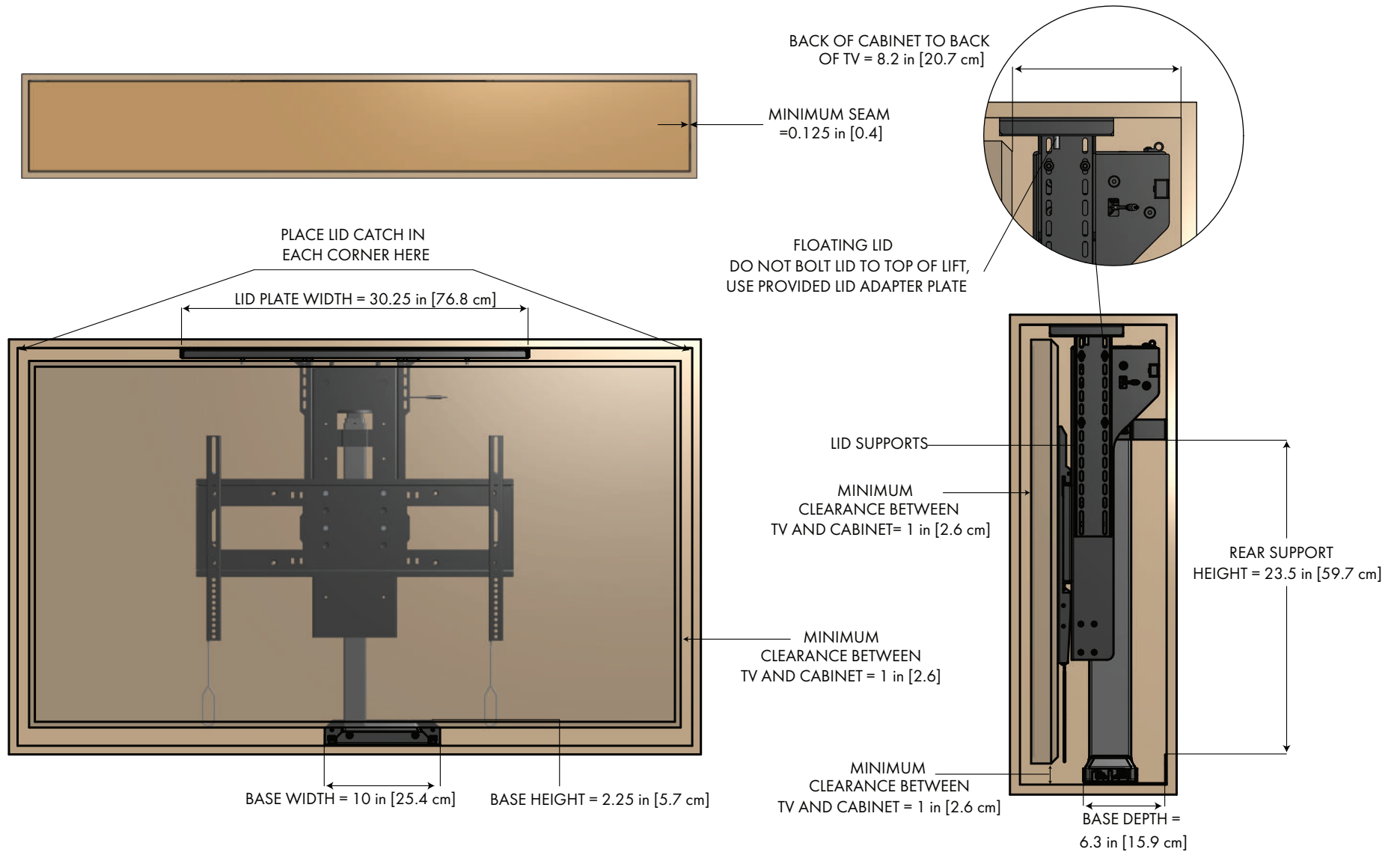
1. THE CABINET BOX SHOWN IN THE DIAGRAM IS FOR REFERENCE ONLY AND IS NOT PROVIDED WITH THE LIFT SYSTEM
2. WHEN DETERMINING TV HEIGHT, ALWAYS USE MANUFACTURER SUPPLIED "TV WITHOUT STAND" HEIGHT
3. LIFT MECHANISM IS POWDER COATED BLACK STEEL, COLORS IN DIAGRAM ARE FOR CLARITY ONLY
4. SWIVEL IS MOTORIZED ONLY, CANNOT BE MANUALLY TURNED
5. SWIVEL MUST BE ABLE TO REACH 20° IN BOTH DIRECTIONS
6. ENSURE LIFT IS CLEAR OF ALL OBSTRUCTIONS BEFORE SWIVELING

NEXUS₂₁

COPYRIGHT 2023 - ALL RIGHTS RESERVED
 UPDATED 1/4/24

MODEL L-65x DIAGRAM

CABINET REFERENCE DIMENSIONS



NOTES:

1. LID SUPPORTS ALLOW LID PLATE TO BE ADJUSTED FLUSH WITH UNDERSIDE OF LID
2. LID ADAPTER PLATE ALLOWS LID TO FLOAT WITH THE USE OF LID CATCHES

NEXUS₂₁

COPYRIGHT 2023 - ALL RIGHTS RESERVED
UPDATED 1/4/24