



Installation Manual

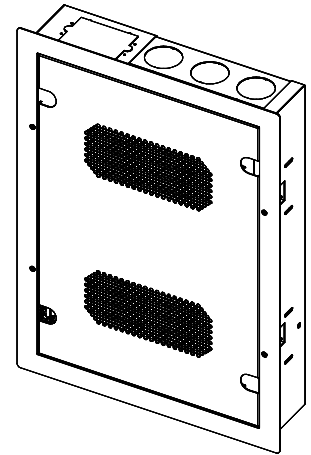
SM-RBX-PRO-20-BLK

Strong VersaBox™

Overview

Thank you for purchasing a great product from Strong™. We appreciate your purchase and are committed to providing the highest quality products possible. The Strong VersaBox™ Pro is designed to provide the best UL-Listed in-wall box solution for installers adding equipment behind low-profile displays and other wall-mounted equipment in an area where coding is strictly enforced. It can easily be installed in existing ceilings and walls, or in new jobs using the optional dust cover.

Inside the enclosure, up to two layers of components may be mounted using the built-in attachment points and the pivoting center mounting plate. Easy-to-remove cutouts allow outlet boxes and low-voltage rings to be installed in the sides of the box to save space for more equipment. The center support plate is perforated to aid in wire management and device mounting and can be set to different depths to allow for more varied installations. The plate can also be modified as needed so that larger components fit into the box.



Package Contents

- | | |
|--------------------------|-----------------------------|
| (1) SM-RBX-PRO-20-BLK | (1) RBX Pro Trim Ring/Bezel |
| (1) Center Support Plate | (6) Grommets |
| (1) Cover Plate/Door | (1) Hardware Pack |
| (1) Dust Cover | |

Recommended for Installation

Tools

- #1 Phillips Screwdriver
- Drywall Saw
- Tape Measure
- Level
- ¼" Flat Head Screwdriver (optional)
- Electric Drill and ¼" bit (optional)
- Tin Snips (optional)

Optional Accessories and Hardware

- Drywall screws
- Electrical box and low voltage ring for adding terminations to cutouts
- Compact Wattbox (sold separately)

Use only standard size cover plates on boxes and rings installed in the Strong VersaBox™. Midi and jumbo size plates will not fit.

Important Instructions and Considerations for Installation

- Read and follow all instructions.
- Before beginning installation, carefully plan locations, accounting for potential electrical, ductwork, plumbing or other obstacles that may interfere with installation of the box, equipment, or wiring.
- Contact a suitable contractor if you are unsure of how to best install.



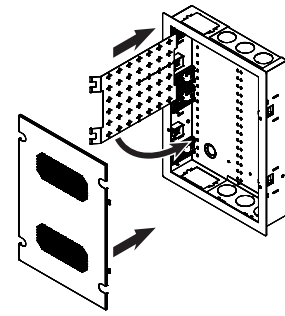
CAUTION:

This equipment must be installed and assembled by qualified service personnel in accordance with local building codes. Total equipment weight stored in this enclosure must not exceed 15 pounds.



Assembly Diagram

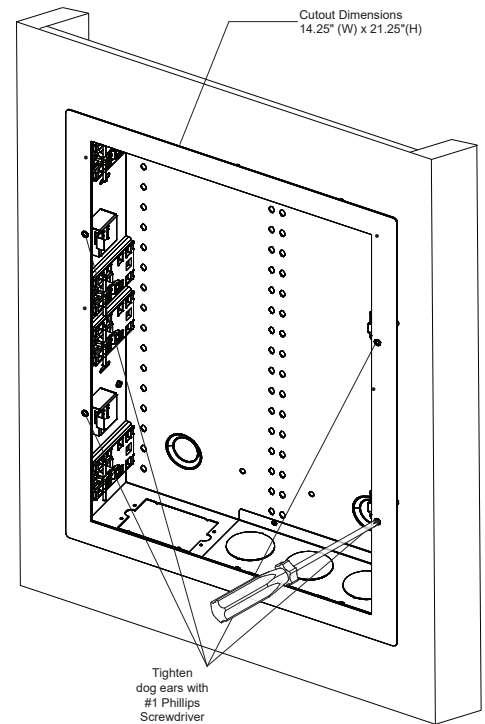
Note: To remove the cover with ease, swing door open pulling from the finger openings on the side of the cover first.



Old Work Installation Instructions

1. Mark the desired height of the top of the SM-RBX-PRO-20-BLK on the wall between two stud centers. Use a stud finder to locate the studs.
2. Use the cutout template from the box to mark the wall. Use a level to line the template up correctly.
3. Carefully cut the opening using a drywall saw.
4. Test fit the box and clean up the opening as needed.
5. Remove the center support plate from the Strong VersaBox™ Pro. The platform standoffs may be left in place.
6. Insert the box into the opening. Using a #1 Phillips screwdriver, secure the box to the drywall using the dog legs on each side of the enclosure as illustrated.
7. Install the trim/bezel with 8 screws on the inside edge for a finished look.

Note: If any of the 4 dog legs will not extend correctly due to stud clearance beside the box, a screw may be inserted through the side of the box into the stud. Refer to the New Work Installation section below for reference of where to insert the screw/s.



New Work Installation Instructions

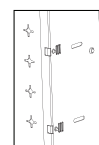
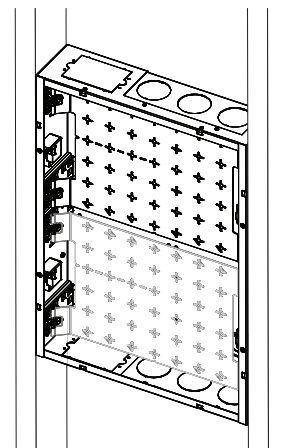
The SM-RBX-PRO-20-BLK dust cover is designed to preserve the Strong In-Wall VersaBox in new work applications before drywall is hung on the studs.

Note: Determine what thickness the drywall will be, before installing. If the studs are wider than 16" use dog ears once the drywall is installed.

Strong VersaBox™ Pro Installation (before drywall is installed)

1. Remove the center support plate from the VersaBox Pro. The platform standoffs may be left installed.
2. Open any knockouts in the VersaBox Pro that will be used for wiring or electrical.
3. Pull the wires out of the wall opening and pull them into the desired openings of the VersaBox.
4. Attach the VersaBox Pro to the studs with the 4 included lag bolts and protect the inside of the VersaBox Pro from the drywall install by inserting the dust cover.
5. Once drywall is installed, remove the dust cover, attach the trim/bezel, and install equipment.

Go to the SM-RBX-PRO-20-BLK product page at www.SnapAV.com for tips and instructions to install equipment into the VersaBox Pro.



Note: Mounting screwholes are only located on the left and right sides, as illustrated.

Installing Equipment into the Strong VersaBox™ Pro

The center support plate allows for a variety of equipment configuration options. To accommodate equipment of different thicknesses, the plate hinges can be reversed. The plate is also perforated so that it can be trimmed down in size, or used for securing modules and wiring.

Experiment with the equipment configuration to determine the best installation method. For images of different configurations of equipment installed in the VersaBox Pro, see the VersaBox Pro product page and Support Tab at www.SnapAV.com.

Using Knockouts

The knockouts on the top and bottom of the VersaBox Pro may be used for installing low voltage rings or for outlet boxes. If an outlet box is installed, it must be an old work, residential grade box with integrated work supports to allow for secure mounting.

Note: Once installed, to ensure fire safety, the silicone grommets must remain in the VersaBox.

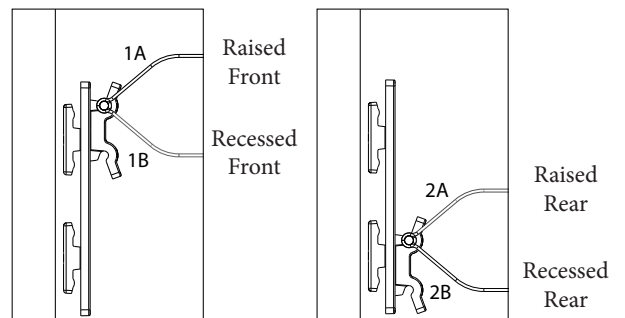
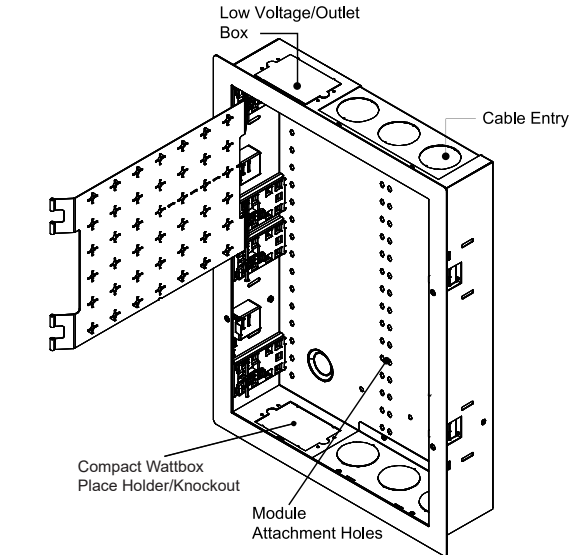
- When using these as wire guides, slit each grommet down the middle in a "+" shape, never remove them.
- When using these for conduit, cut the grommet for the exact size and shape of the conduit so that it gives the conduit a tight seal.

Modules

The back wall of the VersaBox Pro has holes and knockouts stamped into it on 6" centers to allow for easy structured can module installation. Use a 1/4" drill bit to open more of the knockout stamps as needed to mount equipment.

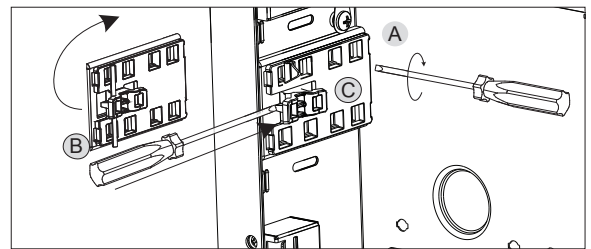
Changing the Standoff Position

You have the option to orientate the standoffs toward the front or rear of the VersaBox Pro. These 2 different positions provide the platforms with 4 different levels (1A, 1B, 2A, 2B), as illustrated. The standoffs and positioning of the Mounting Platforms effectively give you the option to raise or lower the platforms to the desired height, up to being flush with the front of the can.



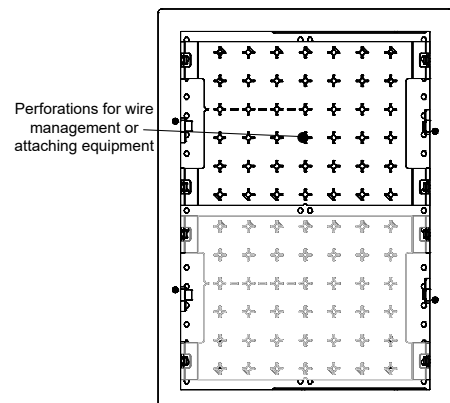
Changing the Center Support Plate Position

1. Insert 1/4" flat head screwdriver into the slot at the rear of the standoff and twist. Pry upward to remove it. (A)
2. Rotate the standoff 180°. (B)
3. Press the standoff back in with the screwdriver until it clicks into place. (C)
4. Repeat for each of the standoffs.



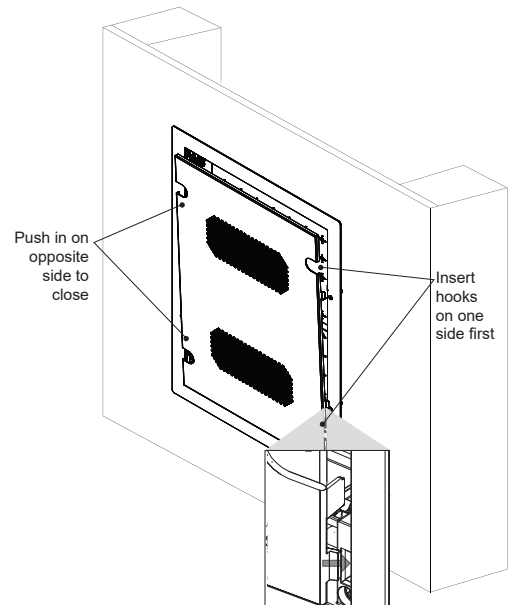
Using the Center Support Plate

The center support allows for almost any mounting configuration possible. Additional sections may be trimmed out using a pair of tin snips for further utilization of mounted equipment.



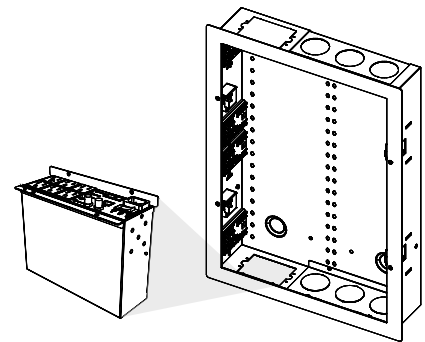
Attaching the Strong VersaBox™ Pro Cover

To attach the cover, knock out any additional wire pass-throughs needed, and then slid the cover on, seating the hooks on the right side first, and pushing the left side in until a “click” is heard.

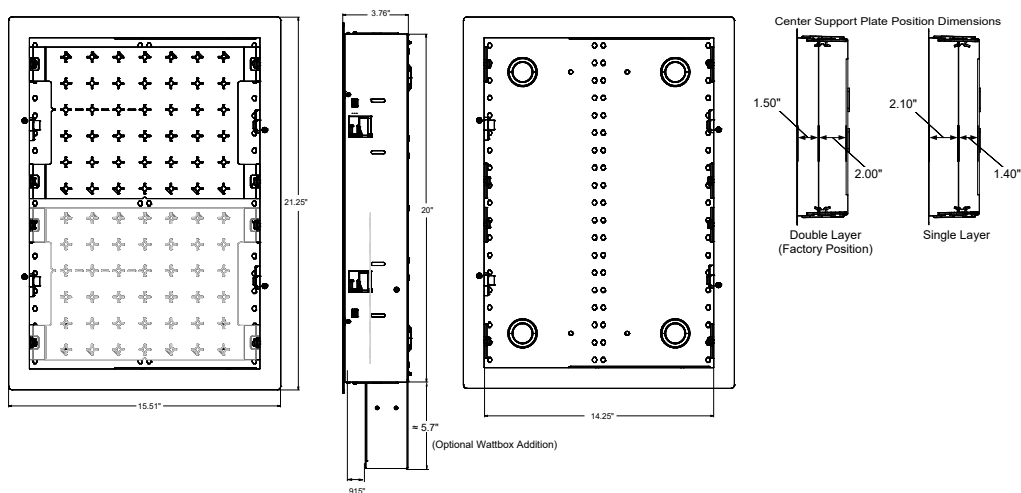


Installing the Optional Compact WB-300VB

Remove the bottom panel by unscrewing the 4 pre-installed screws. Insert the compact wattbox, and re-thread the four screws to permanently secure it. See the WB-300VB manual for more information.



Dimensions



Warranty



Limited Lifetime Warranty

All Strong back-boxes and brackets have a Lifetime Limited Warranty. This warranty includes parts and labor repairs on all components found to be defective in material or workmanship under normal conditions of use. This warranty shall not apply to products that have been abused, modified, or disassembled. Products to be repaired under this warranty must be returned to SnapAV or a designated service center with prior notification and an assigned return authorization number (RA).

Contacting Technical Support

Phone: (866) 838-5052

Email: Techsupport@snapav.com

