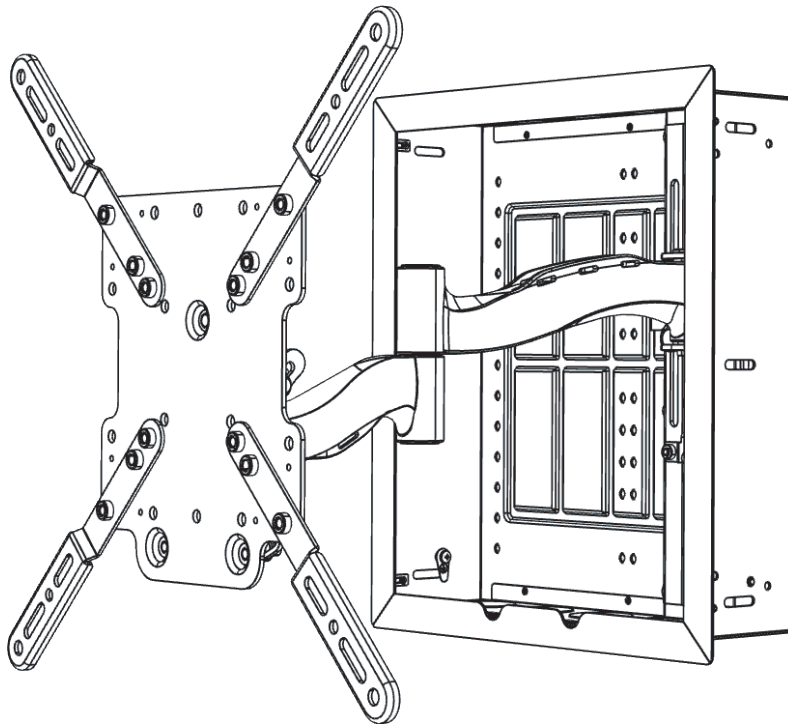




SM-VM-ART1-IW-16-L







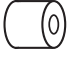
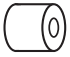
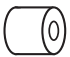








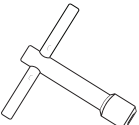
Strong™ VersaMount™ Single-Arm In-Wall Articulating Mount



SM-VM-ART1-IW-16-L

INSTALLATION MANUAL

HARDWARE

#	IMAGE	DESCRIPTION	ITEM	QTY
BAG 1		Enclosure Mounting Screw	(A) 6 × 40 mm	7
		Screw	(B) M6 × 20 mm	4
		Screw	(C) M6 × 40 mm	4
		Screw	(D) M8 × 20 mm	4
		Screw	(E) M8 × 40 mm	4
		Screw	(F) M8 × 50 mm	4
BAG 2		Spacer	(G) 8.5 × 15 × 5 mm	4
		Spacer	(H) 8.5 × 17.5 × 10 mm	4
		Spacer	(I) 8.5 × 17.5 × 19 mm	4
		Spacer	(J) 8.5 × 17.5 × 22 mm	4
		M6 Washer	(K) 6.4 × 18 × 2 mm	8
		M8 Washer	(L) 8.4 × 20 × 2 mm	8
BAG 3		Screw (for bezels)	(M) M3 × 5 mm	8
		Screw (for adapters)	(N) M8 × 10 mm	8
		M6 Lock Nut (for TV plate)	(O) M6	2
		M6 Washer (for TV plate)	(P) 6.4 × 16 × 1.5 mm	2
		Nylon Washer (for TV plate)	(Q) 6.5 × 16 × 1.5 mm	2
BAG 4		10mm Socket Wrench		1
		Wrench		1
		Velcro Strips		4

Additional Tools Required

- Power Drill with
- 1/4" Drill Bit
- #2 Phillips Screwdriver
- Level
- 10mm Socket Wrench
- Stud Finder (for wood stud mount)
- Wood shims (optional)
- 5/16" drill bit
- Hammer
- Nails or tape (for drywall cutouts)
- Drywall saw (for drywall cutouts)

1. WARNINGS

- These wall mounts are intended for use only with the maximum weight capacities listed below.
- Installation by a qualified professional is highly recommended for this product.
- Do not begin installation until you thoroughly read and understanding these instructions.
- Ensure the mounting wall will safely support four times the combined weight of the mount and display panel.
- The manufacturer does not accept responsibility for incorrect installation.

⚠ CAUTION:

Use with heavier than the maximum weight indicated may result in instability which could possibly cause injury.

1. AVERTISSEMENTS

- Ces supports muraux sont pour être utilisés seulement avec les capacités de poids maximales ci-dessous.
- L'installation par un professionnel qualifié est fortement recommandée pour ce produit.
- Ne commencez pas l'installation avant d'avoir lu et compris ces instructions.
- Assurez-vous que le mur de montage supporte en toute sécurité quatre fois le poids total du support et du panneau d'affichage.
- Le fabricant n'accepte pas la responsabilité por une installation incorrecte.

⚠ MISE EN GARDE:

Une utilisation avec un poids plus haut que le poids maximal indiqué peut provoquer une instabilité et ainsi des blessures.

CAUTION: This wall mount is intended for use only with a maximum display weight of 100 lb / 45 kg.

Preparing an Existing Wood Stud Wall (Retrofit with Drywall)

The VersaMount fits a 16" stud bay. Under no circumstances should you mount this product to metal studs.

WARNING: Wood studs must be a minimum of 2"×4".

Materials required:

- Stud Finder - Cutout Template - Tape or Nails and Hammer - Drill - Drywall Saw

- Locate and mark the edges of the stud bay in the mount location.
- Using tape or nails, secure the provided cutout template in the desired mount location. Use the marks you made to orient the template properly.
- Using a drill, make holes along the cutout line every 4–6 inches.
- Remove the template and complete the cuts using a drywall saw. Remove the drywall.

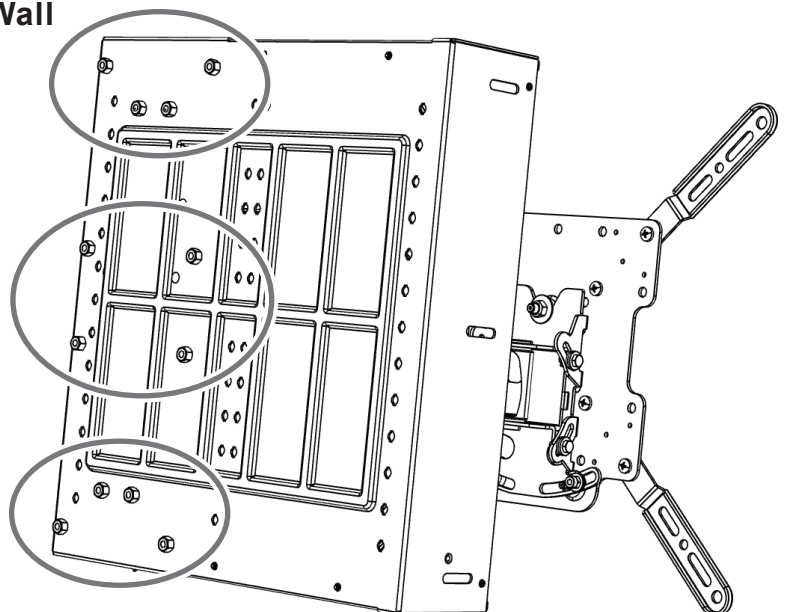
2. Installing the Enclosure into the Wall

Materials required:

- Wood Shims
- 6 × Lag Bolts (A)

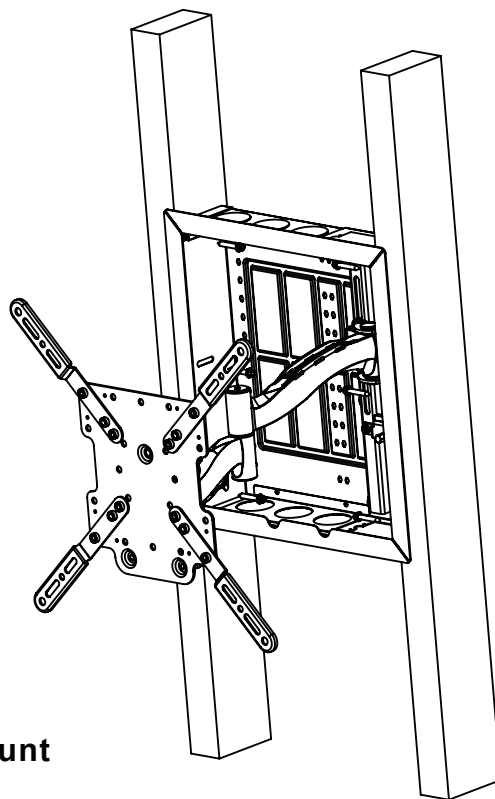
2.1 Reverse the Track Position (OPTIONAL)

The vertical track and arm come pre-installed at the right side of the enclosure. If your job requires that the arm be at the left side of the box, remove the twelve bolts (the nuts for which are shown to the right), remove the arm, rotate the enclosure 180°, and use the bolts to re-install the arm.



2.2 Inserting and Securing the Enclosure into the Wall

- Insert the enclosure into the wall.
- Shim the sides as needed so the enclosure does not deform when securing the side walls. Insert the lag bolts (A) into the outer holes at the sides of the enclosure to secure the enclosure to the wood studs.



3. Installing Equipment into the Strong VersaMount

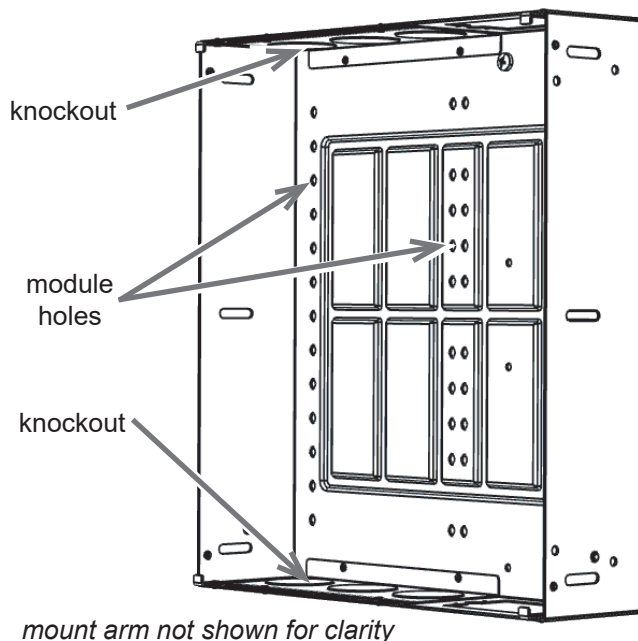
The VersaMount allows for a variety of equipment configuration options. Experiment with the equipment configuration to determine the best installation method. For images of different configurations of equipment installed in the VersaMount, see the VersaMount product page and Support Tab at SnapAV.com.

3.1 Using Knockouts

The knockouts on the top and bottom can hold low-voltage rings or outlet boxes. An outlet box must be an **old-work metal junction box** with integrated supports for secure mounting; new-work plastic outlets do not fit.

3.2 Modules

The back wall of the enclosure has holes and knockouts on 6" centers to allow for easy structured can module installation. Use a 1/4" drill bit to open more of the knockout stamps as needed to mount equipment.



4. Install the Display Adapter Plate

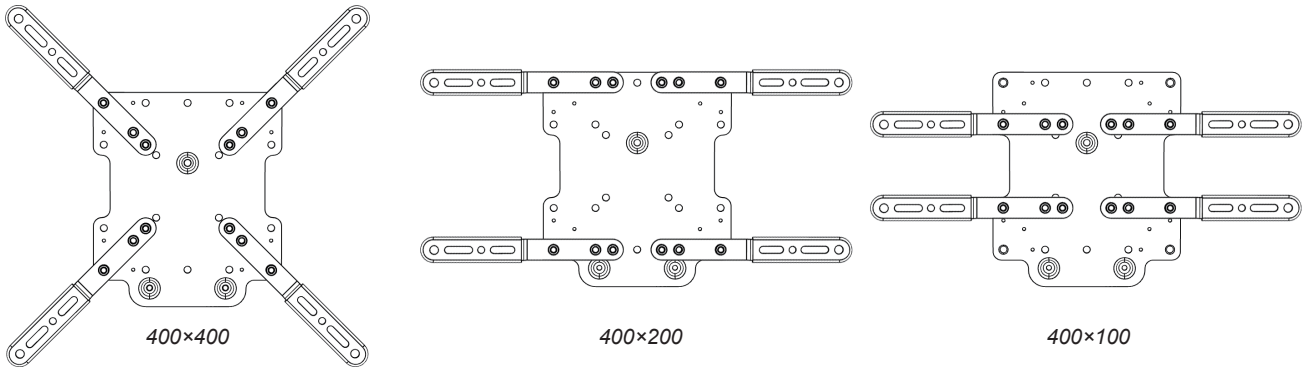
This mount is compatible with most VESA patterns between 75x75 and 400x400. Some VESA patterns require the use of the included display adapter brackets. The table at right shows whether your display requires adapter brackets: standard VESA patterns are shown in white. Patterns with check marks can use the base plate (proceed to step 6.2); VESA patterns with double diamonds require the use of adapters (proceed with step 6.1).

	75	100	200	300	400	500	600	700	800
75	✓								
100		✓	✓	◇	◇				
200		✓	✓	◇	◇				
300		◇	◇	◇	◇				
400		◇	◇	◇	◇				
500									
600									
700									

4.1 Attaching the Display Adapter Brackets

To attach the extension adapters, align the adapter bracket holes with those on the TV-facing side of the adapter plate and secure in place with the included bolts (N). The display adapter brackets can reach VESA patterns up to 400×400 and provide additional flexibility when needed. Reference the examples below for some ways the adapter brackets can be used to achieve various VESA patterns.

Warning: Over-tightening can damage the bolts or the display and is not covered under warranty. Make sure the fasteners are tight enough not to rattle loose while the mount is in use.



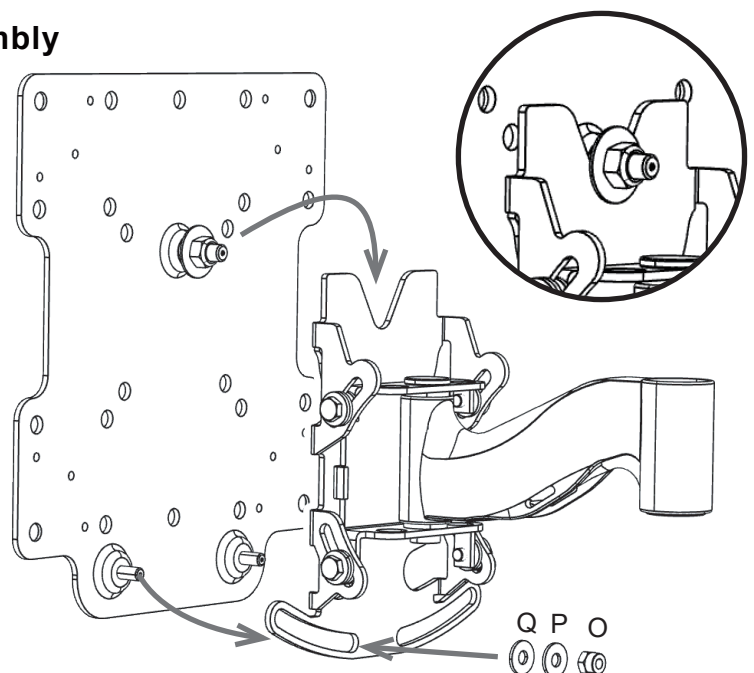
4.2 Attaching the Display

- Carefully lay the display face-down on a soft surface.
- Locate the four mounting holes in the back of the display housing. Carefully test threading the screws (B through F) into the back of the display until you find the proper thread.
- Lay the adapter plate centered over the display with the two roll adjustment screws toward the bottom of the display. Ensure the mounting holes of the display match up properly to four of the holes in the adapter plate.
- Check the clearance between the TV and the plate. If the plate won't sit flat against the back of the television, place spacers (G through J) and washers (K or L) between the display and the plate as needed.
- Fasten the plate to the display. Use screws long enough to thread securely into the display without bottoming out.

Warning: Over-tightening can damage the bolts or the display and is not covered under warranty. Make sure the fasteners are tight enough not to rattle loose while the mount is in use.

5. Attach the Display to the Arm Assembly

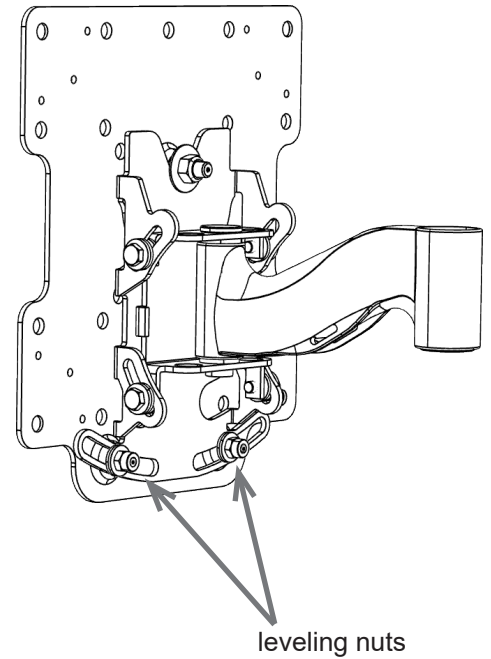
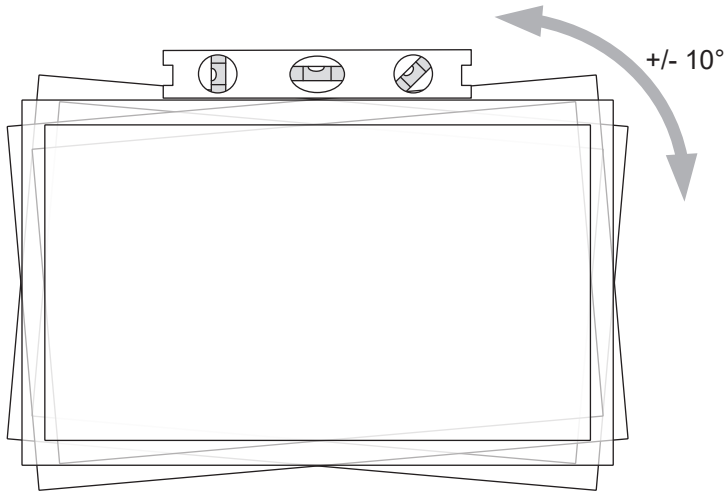
- Lift the display and place the bolt at the center of the plate into the notch as shown. Once placed, the two bolts at the bottom will swing into place through the level adjustment slots.
- Secure the display using the two Nylon washers (Q), two metal washers (P), and lock nuts (O). Be sure to place the Nylon washer between the mount and the metal washer. This will allow for easier tilt adjustments later.
- Secure the nuts with the 10mm socket wrench.



6. Adjusting Display Position

6.1 Horizontal Level Adjustments

- You tightened the locking nuts at the bottom of the arm assembly end plate at the end of the last step. Now loosen them $\frac{1}{4}$ turn each. This allows you to position the display with minimal effort.
- Place a level on top of the display, and rotate the display until it is horizontally level.
- After adjustment is complete, tighten the nuts.



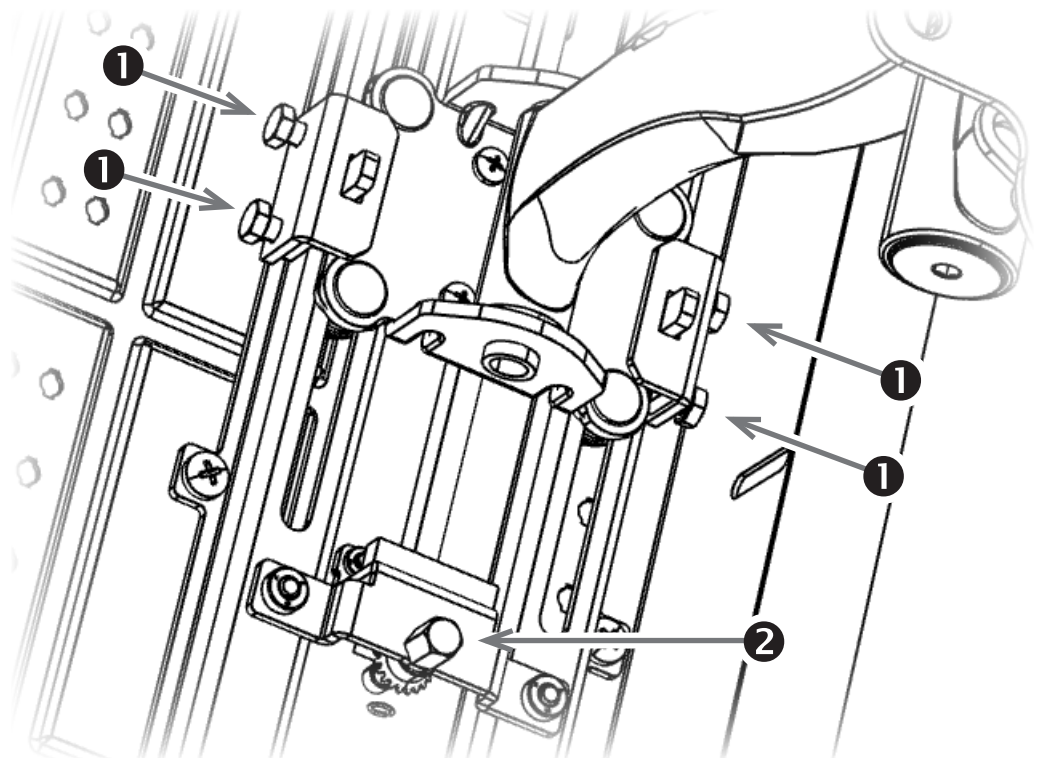
6.2 Vertical Position Adjustments

WARNING: Loosen the vertical shift lock bolts before adjusting the vertical position. Using vertical shift while lock screws are engaged will damage the height adjustment system.

- Locate the four locking bolts on the sides of the vertical track **1**. Loosen these bolts so the sled can move up and down. There are two on each side, all four must be disengaged before adjusting height. **They do not need to be removed.**

WARNING: Do not over-drive the height adjustment to its extremes (top or bottom). Doing so will damage the height adjustment system.

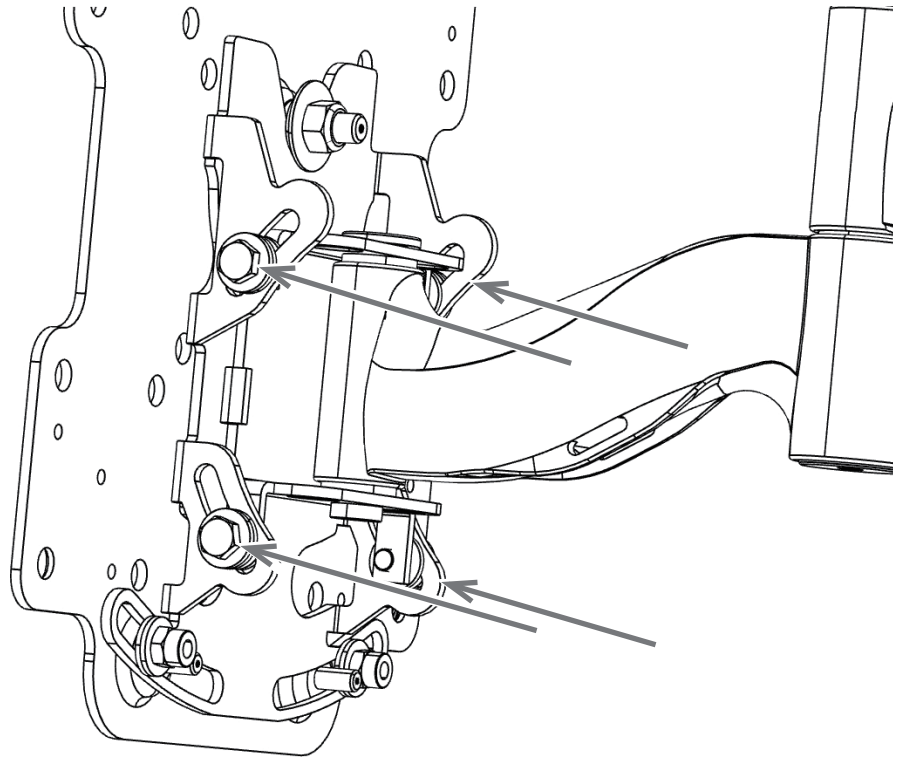
- Locate gear box and 10mm hex gear drive **2** toward the bottom of vertical track.
- Use a drill with 10mm hex socket or provided socket wrench to adjust. Use the drill at low speeds to ensure you do not damage the system.
 - Turn bolt clockwise to move mount down.
 - Turn bolt counter-clockwise to move mount up.
- Once the height is where you want it, tighten the locking bolts to secure the display.



6.3 Tilt Adjustments

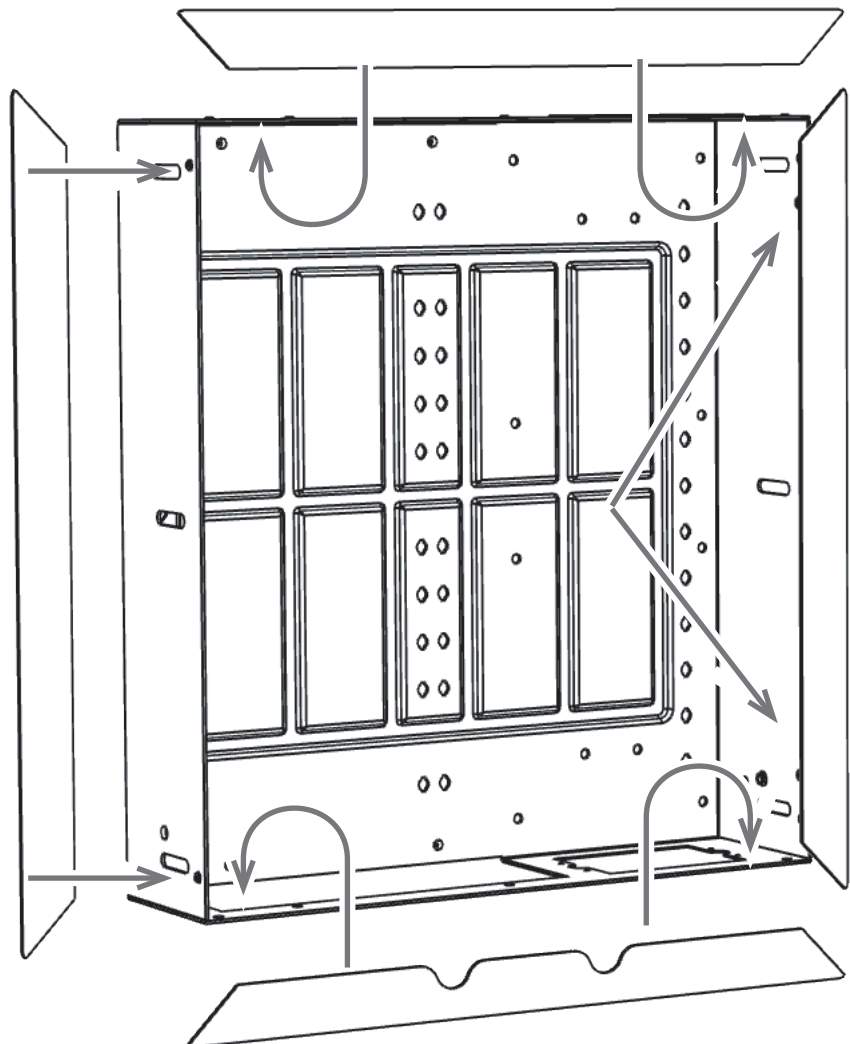
Tilt adjustments usually do not require loosening any bolts or screws. The tilt plate fasteners have been pre-adjusted for easy adjustment with most TVs. However, heavier TVs may sag due to the extra weight.

Manually adjust the display to your preferred angle, then evenly tighten the lock nuts on each side of the arms using the 10mm socket wrench to prevent the display from sagging.



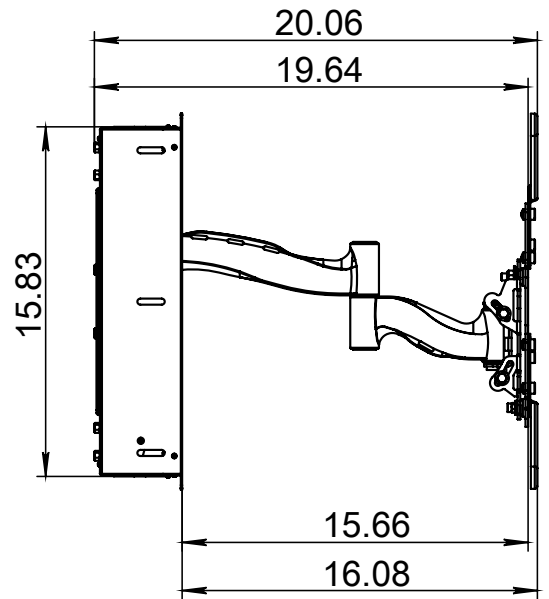
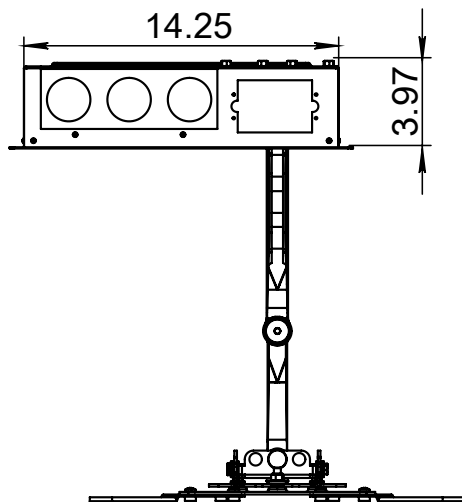
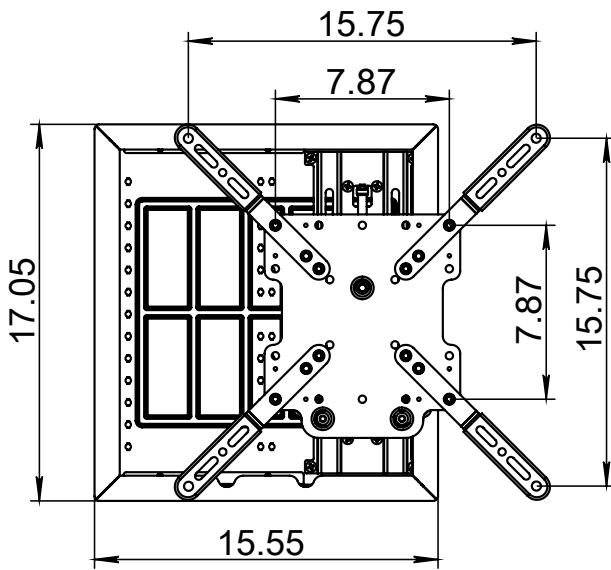
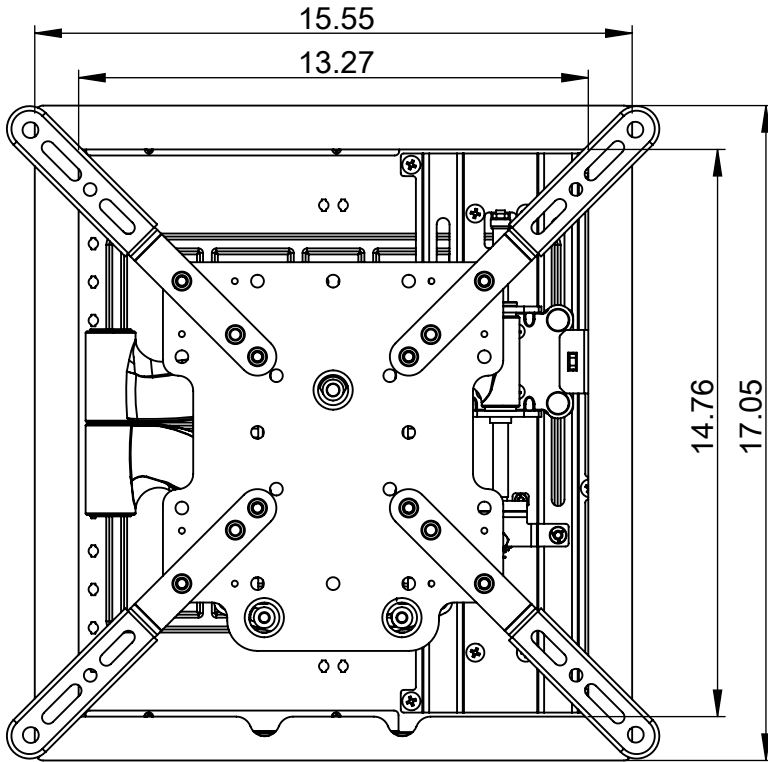
7. Attach Bezel

Attach the four pieces of the bezel by securing the tabs on the rear of each piece to the inside of the enclosure. Each bezel piece is secured by two screws (M).



8. Dimensions

All measurements in inches.



Warranty



Limited Lifetime Warranty

Find details of this product's Lifetime Limited Warranty at snapav.com/warranty, or request a paper copy from Customer Service at (866) 424-4489. Find other legal resources, such as regulatory notices and patent information, at snapav.com/legal.

Copyright ©2021, Wirepath Home Systems, LLC. All rights reserved. Control4 and SnapAV and their respective logos are registered trademarks or trademarks of Wirepath Home Systems, LLC, dba "Control4" and/or dba "SnapAV" in the United States and/or other countries. Control4, Snap AV, Strong, Strong Versabox, and WattBox are also registered trademarks or trademarks of Wirepath Home Systems, LLC. Other names and brands may be claimed as the property of their respective owners. All specifications subject to change without notice.

Contacting Technical Support

Phone: (866) 838-5052 Email: Techsupport@snapav.com



engineered by
Snap