

# SR-CUSTOM Series Floor Standing AV Rack System



## Package Contents

- A. 1x Top plate
- B. 4x Rack pillars
- C. 4x Side bars
- D. 1x Base assembly
- E. 4x Leveling feet (not shown)
- F. Assembly hardware (not shown)
  - 40x Rack assembly screws
  - 16x Side bar screws
- G. 3mm Hex driver bit

## Key Features

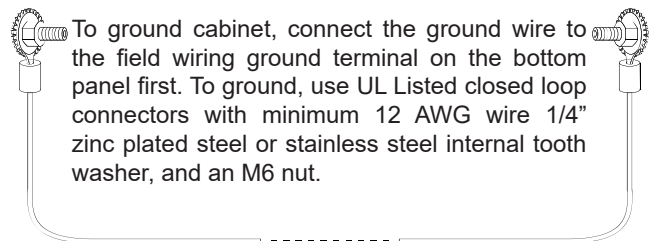
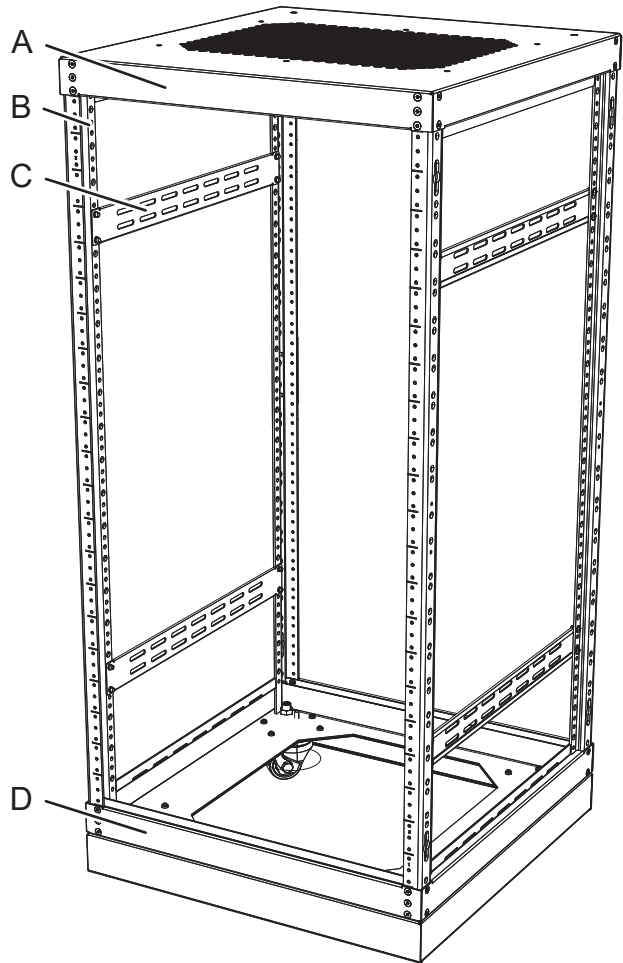
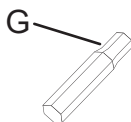
- Easy assembly
- Counter-sunk assembly screws for clean appearance
- Locking pillars for extra stability and rigidity
- Concealed wheels
- Adjustable leveling feet
- Built in top ventilation mounting
- 1000 lb. maximum load
- Optional locking doors and side panels

## Optional Accessories (sold separately)

- Side Panels (SR-CUST-SP-XXU-XXIN)
- Window Door (SR-CUST-DOOR-XXU-GLS)
- Solid Door (SR-CUST-DOOR-XXU-SLD)
- Integrated Cooling (SR-FANBRACKET-2/4)

## Assembly Recommendations

- The included hex driver should only be used with torque-adjustable drills.
- It is recommended to hand tighten the assembly screws to final torque to avoid snapping screws.

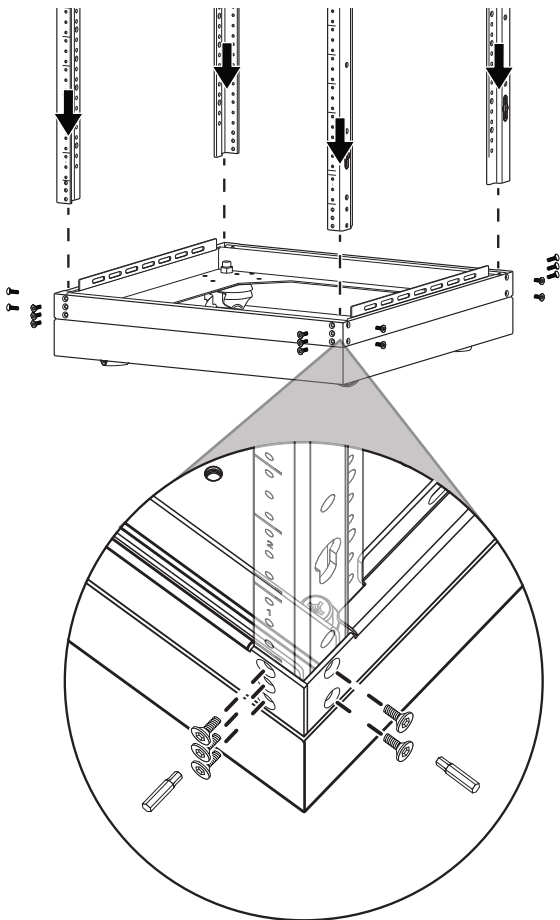


### CAUTION!

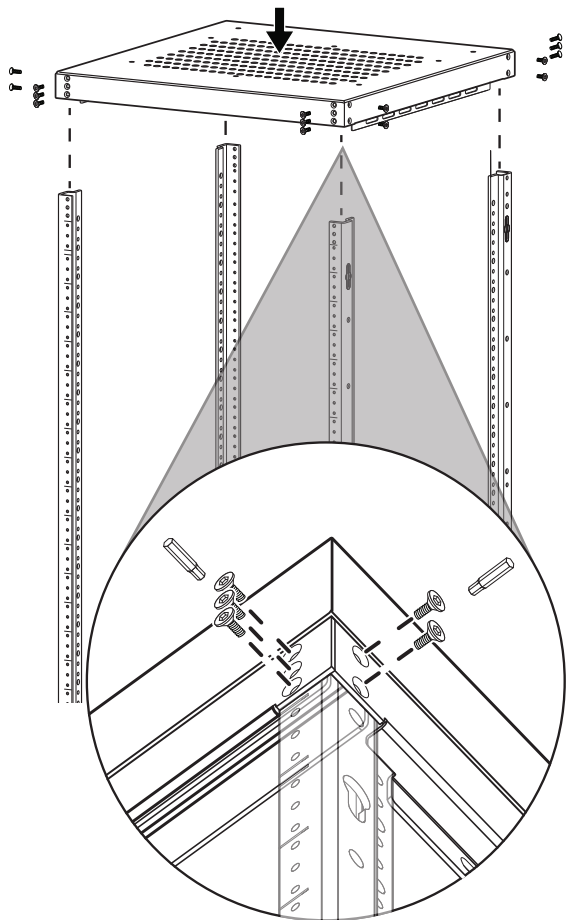
When loading equipment into cabinet, ensure that leveling feet are adjusted correctly and they come in contact with the supporting surface. Always load heavier equipment at the bottom of the rack with a minimum of 200 lbs into lower U spaces.

Equipment cabinets are intended to house or mount certified equipment that is provided with its own fire and electrical enclosure.

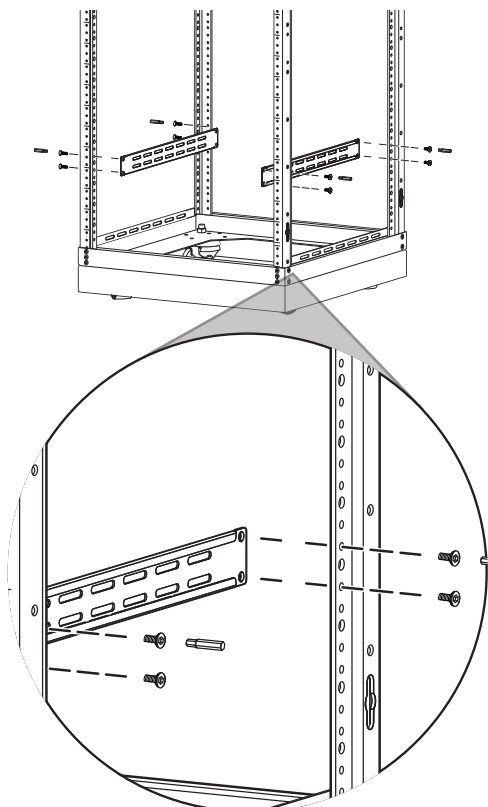
**1** Attach the pillars to the base.



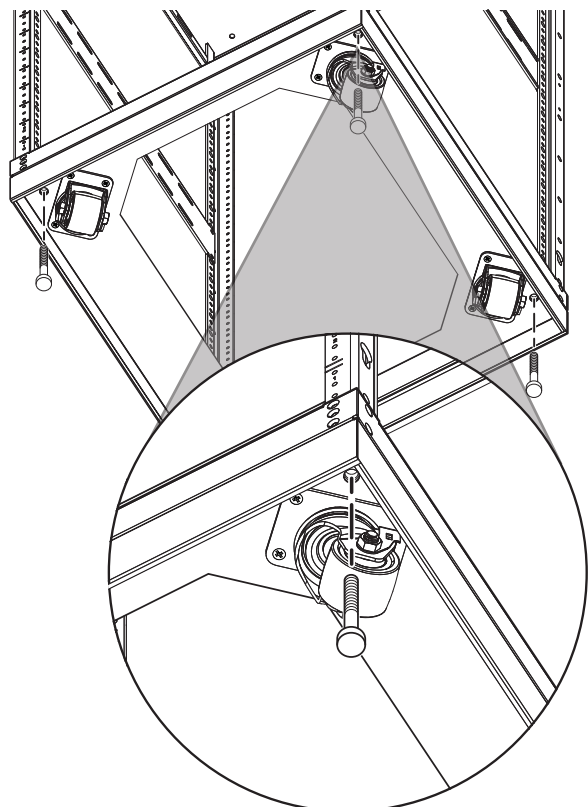
**2** Attach the top to the pillars.



**3** Attach the side bars.



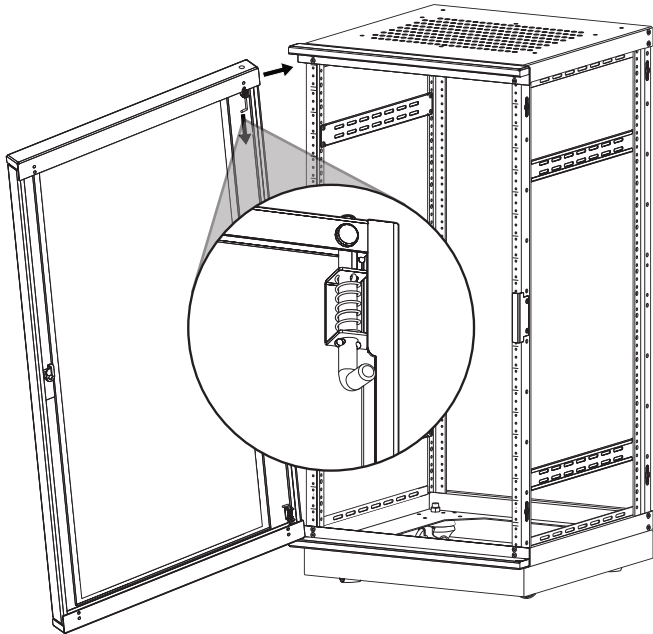
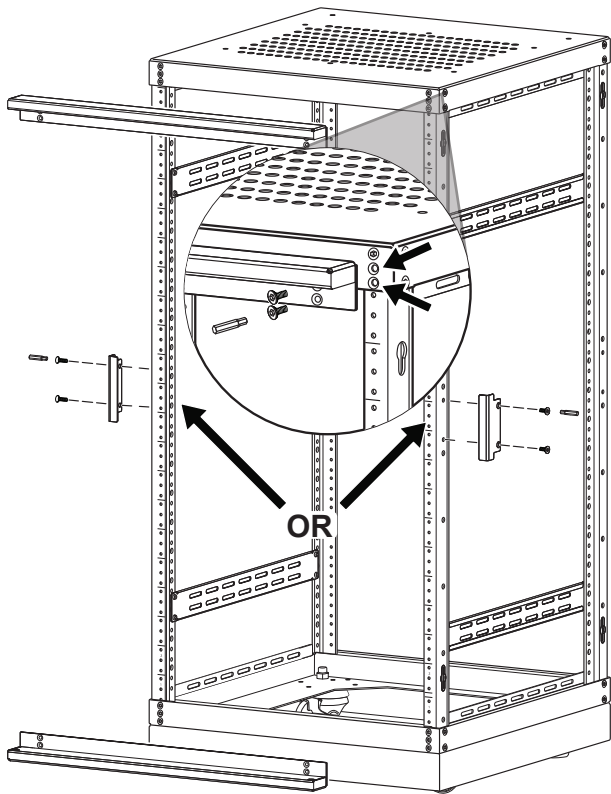
**4** Attach the leveling feet.



Note: The side bars are not required for structural support and can be mounted at any height. (Two of four included bars are pictured.)

Note: Installing the leveling feet will restrict steering rotation of the casters. If the feet will be used, position the rack before installing equipment.

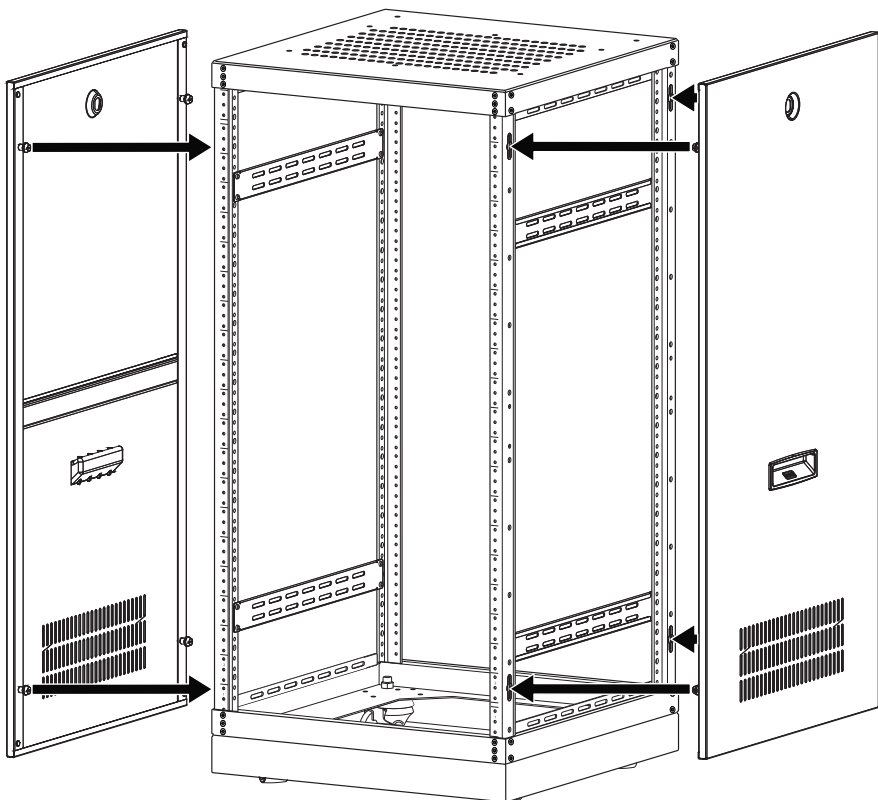
**5** Optional: Install front and rear doors



Note: The door may be installed for left or right-hand swing. Hinge brackets are held on by 2 of the 3 assembly screws at each corner.

Note: Before installing the door, position the hinge bushings in the holes on the top and bottom brackets on the side that will swing.

**6** Optional: Install the side panels.



## Dimensions

Model #	Racking Height	Height w/o Casters	Height w/ Casters	Width No Side Panels	Width Inc. Side Panels	Usable Depth
SR-CUSTOM-21U-20IN	36.75"	40.25"	43.25"	19.77"	21.02"	20"
SR-CUSTOM-21U-24IN	36.75"	40.25"	43.25"	19.77"	21.02"	24"
SR-CUSTOM-27U-20IN	47.25"	50.75"	53.75"	19.77"	21.02"	20"
SR-CUSTOM-27U-24IN	47.25"	50.75"	53.75"	19.77"	21.02"	24"
SR-CUSTOM-32U-20IN	56"	59.5"	62.5"	19.77"	21.02"	20"
SR-CUSTOM-32U-24IN	56"	59.5"	62.5"	19.77"	21.02"	24"
SR-CUSTOM-37U-20IN	64.75"	68.25"	71.25"	19.77"	21.02"	20"
SR-CUSTOM-37U-24IN	64.75"	68.25"	71.25"	19.77"	21.02"	24"
SR-CUSTOM-42U-20IN	73.5"	76.9"	79.9"	19.77"	21.02"	20"
SR-CUSTOM-42U-24IN	73.5"	76.9"	79.9"	19.77"	21.02"	24"

### ***Lifetime Limited Warranty***

All Strong™ products have a Lifetime Limited Warranty. This warranty includes parts and labor repairs on all components found to be defective in material or workmanship under normal conditions of use. This warranty shall not apply to products that have been abused, modified, or disassembled. Products to be repaired under this warranty must be returned to Strong or a designated service center with prior notification and an assigned return authorization number (RA).

For Technical Support: 1.866.838.5052



© 2016 Strong™

160920-1129