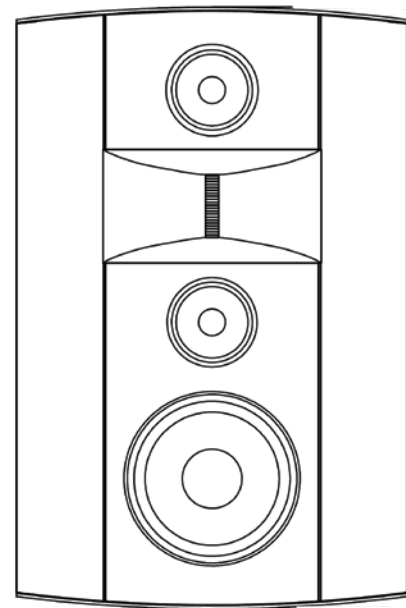
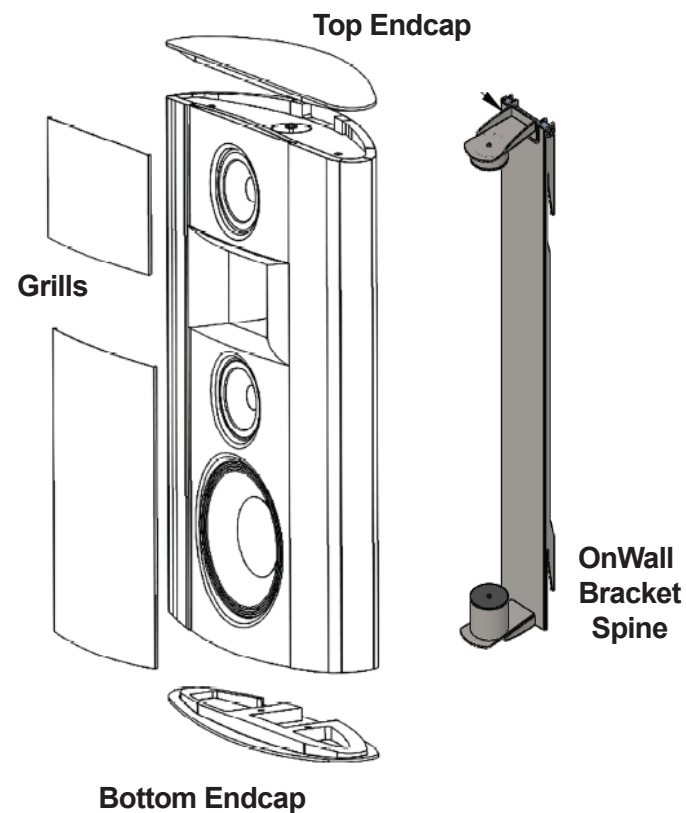


InRoom CR LCR2 Speaker



CAUTION! This speaker is very heavy, weighing 150 lbs (68kg) plus stand or bracket. Use sufficient manpower and/or equipment to lift and maneuver it safely to avoid injury or damage.

Speaker Parts

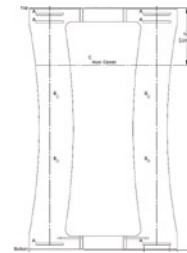


OnWall Bracket Parts

A: (1) Wall Mount



B: (1) Template



C: (10) 1/4 inch X 3 in Lag Bolts with (10) 1/4inch flat washers.



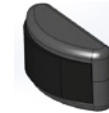
D: 4 x #10 X 1.25 oval head screws; 4 X #10 drywall anchors.



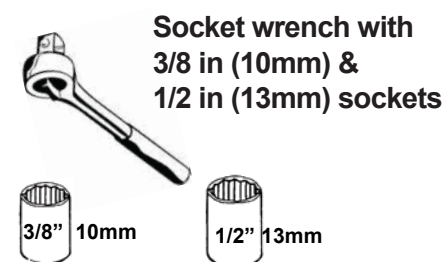
E: (2) Enclosure Dampers - large



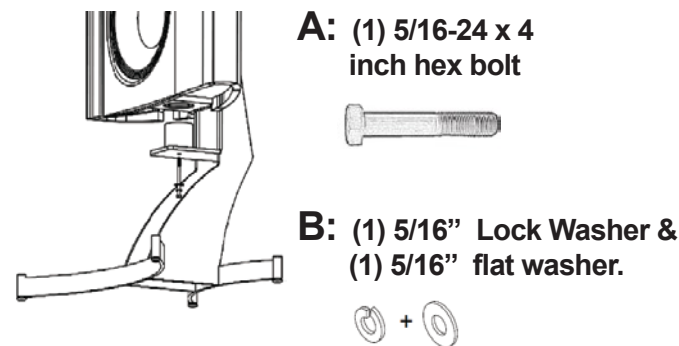
F: (1) Enclosure Damper - small



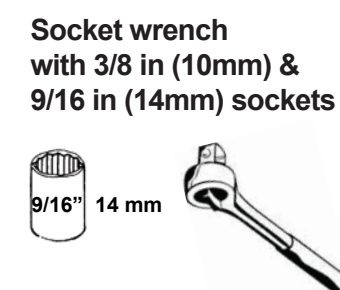
OnWall Bracket Tools Needed



InRoom Stand Parts



InRoom Stand Tools



Cinema Reference

Cinema Reference is Triad Speakers' line of premium loudspeakers designed using the most advanced technologies to fill large world-class Home Theaters, Screening Rooms, Listening Rooms and Gaming Rooms to very loud levels with reference quality sound.

LCR 2 is a high sensitivity passive loudspeaker with high power handling & high output, best served as a high resolution main speaker for both multi-channel rooms and high-end two-channel rooms with subwoofer(s).

LCR 2 is designed for optimal performance either installed on a wall hidden behind screens & stretched fabric walls or visible on its stand out in the room. LCR 2 should be positioned horizontally with slight toe-in and vertically so that tweeter horn is aimed at primary listening position.

Specifications

98dB @ 2.83v, 1m; 500 watts power handling; 4 ohms nominal impedance; f3 = 80Hz; recommended crossover: 80-100Hz depending on speaker location & room; 120db+ max output; 150 lbs (68 kg); 31"W x 47"H x 9.75"D (787mm x 1194mm x 248mm)

North American Limited Warranty

Triad speakers are warranted to be free from defects in manufacturing and workmanship (10) years when operated under normal conditions. Should any such defects occur within the warranty period call Triad Service at 1-503-256-2600 for an RA (Return Authorization) number. Return the product in intact factory packaging with RA number clearly visible on outside of box and proof & date of purchase inside to:

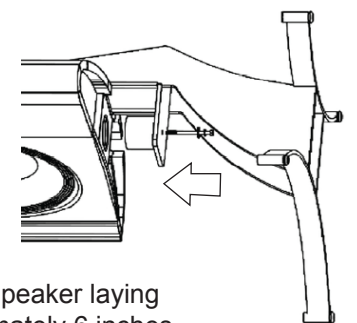
Triad Speakers Inc., 15835 NE Cameron Blvd.,
Portland, Oregon 97230 USA

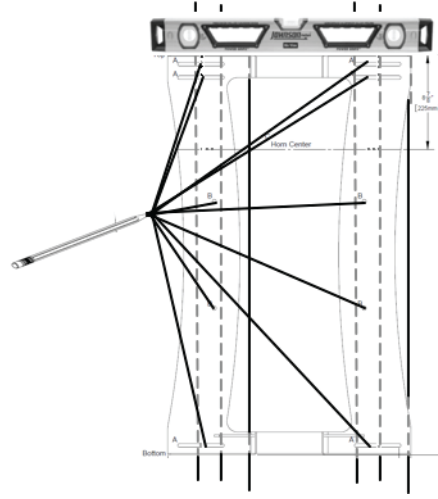
Triad is not responsible for any shipping damage coming in to Triad. If you do not have intact factory packaging, contact your dealer or Triad Service for purchase. At our discretion we will repair or replace the product and return it free of charge. International customers should contact their dealer for service. This limited warranty is extended only to Triad products and is expressly in lieu of all other warranties expressed or implied.

InRoom Stand Installation

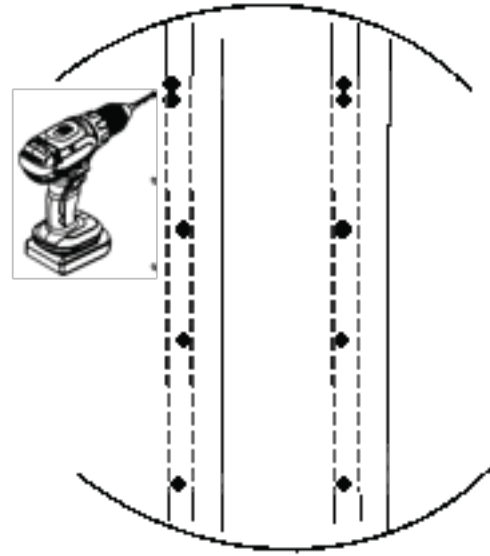
Cinema Reference LCR InRoom Stand is designed to position the speaker's acoustic center (middle of tweeter) at 44 inches (1118mm) above the floor with its adjustable feet at minimum height.

You will find it easier to install the InRoom Stand with the speaker laying face down with its bottom end raised & supported approximately 6 inches (15 cm) above the floor. Protect the drivers, speaker face, and speaker back with packing foam from the crate. When the stand post is seated, tighten the hex bolt, flat washer & lock washer with a 1/2 inch (13mm) socket. Raise the stand, move into position, and level the adjustable feet.

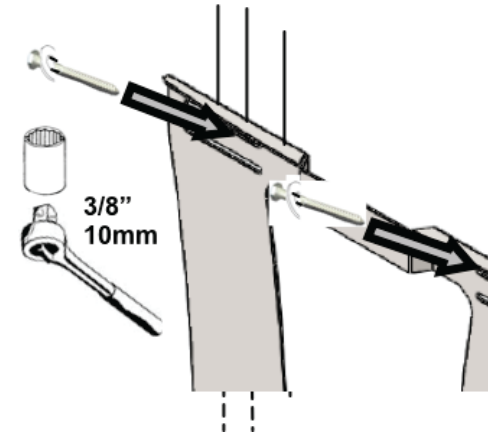




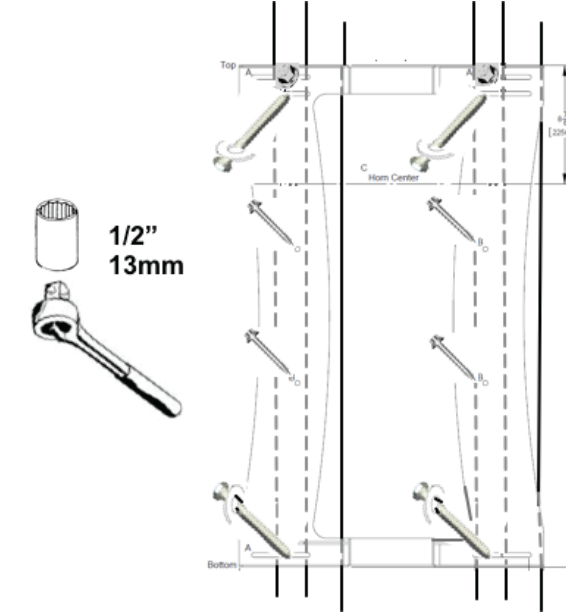
A Using Wall Mount Template B, determine speaker location on the wall. Slots MUST be backed by studs or wood. Note that the speaker's acoustic center (tweeter vertical mid point) is 10-1/2 inches (267mm) below the top of the wall mount. Level or align. Mark all 10 slots & holes with pencil.



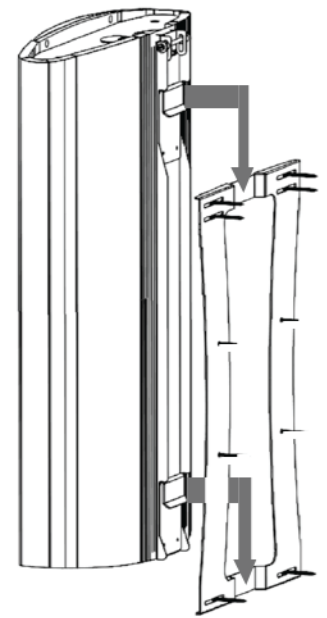
B With 7/32 inch 5.5 mm (preferred) or 3/16 inch 5mm bit, drill pilot holes through wall surface into studs or wood backing through your marked holes. If any of the 4 center holes are not over studs or wood backing, install included anchors. For safety, use all 10 holes.



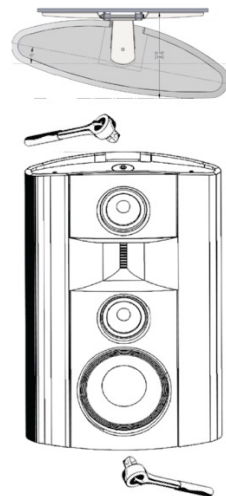
C With 3/8 in (10mm) socket wrench, loosely screw two 1/4 inch x 3 inch Lag Bolts with flat washers C through top Wall Mount slots into stud or plywood backing. Hint: Coat all bolts' threads with beeswax, paraffin, candle wax or soap for easy & safe wrenching.



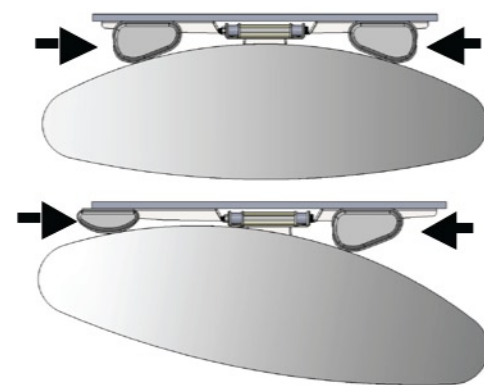
D Screw 4 Lag bolts & washers through remaining 4 slots. Minimum 6 lag bolts MUST be used. Test for sheer strength. To keep Wall Mount from vibrating, you must screw remaining 4 holes with the #10 X 1.25" oval screws and anchors (if needed) or other fasteners appropriate for your wall type.



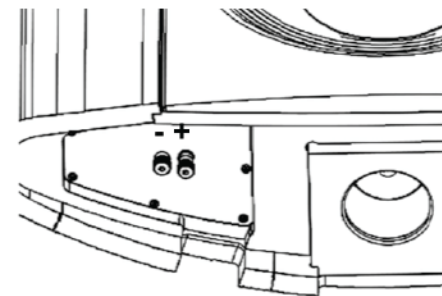
E Using a mechanical lift or enough manpower to be safe, move the speaker to the Wall Mount; lift the speaker with the Spine's two male ends above and over the Wall Mount's female hangers. Slowly lower them on to the hangers, ensuring that both top & bottom are securely hung.



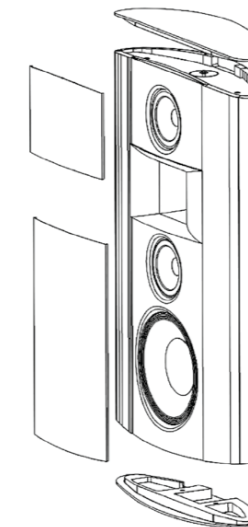
F Swivel enclosure to aim (+/- 12 degrees horizontal). With 1/2 in (13mm) socket, tighten top and bottom bolts.



G Slide two damping blocks G & H on top of the Wall Mount between enclosure and wall; press until snug. Do not hammer. Enclosure should not vibrate if you bump its face at the edge.



H Connect speaker cable to binding posts preserving correct polarity.



I Press fit top & bottom End Caps (held by magnets). Press fit two grills if desired. Speaker install is complete.